



# INTERPUMPGROUP

I  
GB

ISTRUZIONI D'USO  
INSTRUCTIONS FOR USE

F  
D

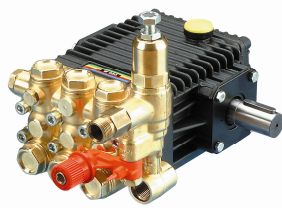
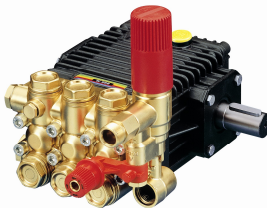
MODE D'EMPLOI  
BEDIENUNGSANLEITUNG

E  
P

INSTRUCCIONES DE USO  
INSTRUÇÕES DE USO

Questo manuale deve essere letto e compreso in accordo al libretto generico "Istruzioni d'uso e manutenzione".  
 This manual must be read and followed in accordance with the generic "Instructions for Use and Maintenance" booklet.  
 Ce manuel doit être lu et compris en accord avec la notice générale " Mode d'emploi et d'entretien ".  
 Dieses Handbuch ist in Verbindung mit dem allgemeinen Handbuch " Gebrauchs- und Wartungsanleitung " zu lesen und zu verstehen.  
 Este manual debe leerse y comprenderse de acuerdo con el manual general "Instrucciones de uso y mantenimiento"  
 Este manual deve ser lido e interpretado de acordo com o livro genérico "Instruções de uso e manutenção"

44




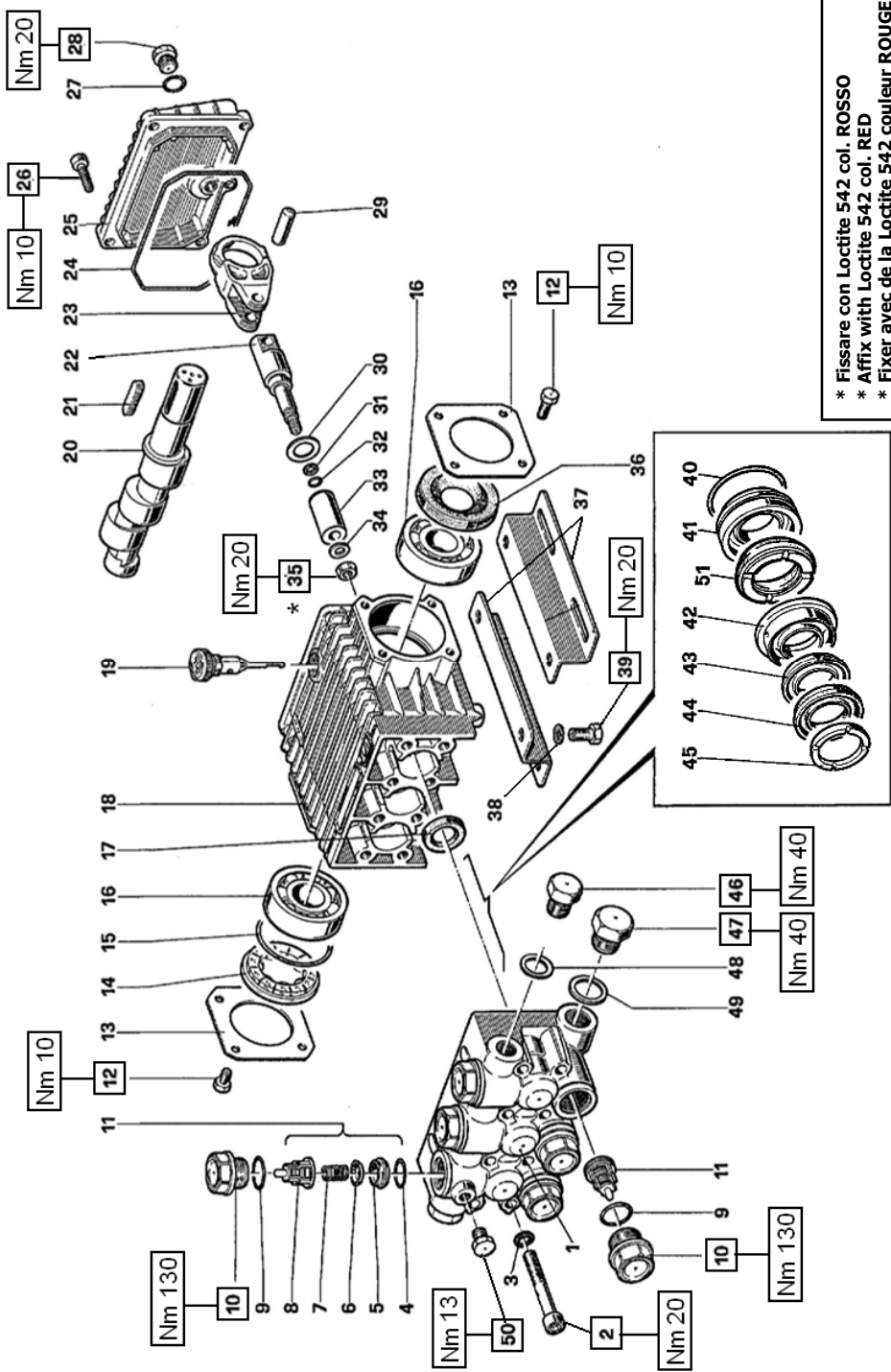
Modello Model Modèle Modell Modelo Modelo	Portata Flow rate Débit Förderstrom Caudal Flujo		Pressione Pressure Pression Druck Presión Pressão			g/m rpm t/m upm r/m r/m	Potenza Power Puissance Leistung Potencia Poder		Peso Weight Poids Gewicht Peso Peso		
	L/min	gpm	bar	MPa	psi		Hp	kW	Kg	Ibs	
W150	8	2.11	150	15	2175	1450	3.0	2.20	7.9	17.4	0.4
W130	9.5	2.11	130	13	1885	1450	3.0	2.20	7.9	17.4	0.4
W130HH	9.5	2.11	130	13	1885	1450	3.0	2.20	7.9	17.4	0.4
W170	9.5	2.50	170	17	2465	1450	4.0	2.94	7.9	17.4	0.4
W112	12	2.50	100	10	1450	1450	3.0	2.20	7.7	17.0	0.4
W140	12	3.17	140	14	2030	1450	4.0	2.94	7.7	17.0	0.4
W140HH	12	3.17	140	14	2030	1450	4.0	2.94	7.7	17.0	0.4
W200	12	3.17	200	20	2900	1450	6.0	4.41	7.7	17.0	0.4
W97	14	3.69	90	9	1300	1450	3.0	2.20	7.7	17.0	0.4
W124	14	3.69	120	12	1750	1450	4.0	2.94	7.7	17.0	0.4
W154	14	3.69	150	15	2175	1450	5.5	4.04	7.7	17.0	0.4
W154HH	14	3.69	150	15	2175	1450	5.5	4.04	7.7	17.0	0.4
W204	14	3.69	200	20	2900	1450	7.3	5.37	7.7	17.0	0.4
W950	9.5	2.50	165	16.5	2400	1750	4.0	2.94	7.9	17.4	0.4
W951	11.5	3.04	103	10.3	1500	1750	3.0	2.20	7.9	17.4	0.4
W952	11.5	3.04	138	13.8	2000	1750	4.0	2.94	7.9	17.4	0.4
W953	11.5	3.04	172	17.2	2500	1750	5.0	3.67	7.9	17.4	0.4
W954	13.6	3.60	90	9	1300	1750	3.0	2.20	7.7	17.0	0.4
W955	13.6	3.60	117	11.7	1700	1750	4.0	2.94	7.7	17.0	0.4
W956	13.6	3.60	145	14.5	2100	1750	5.0	3.67	7.7	17.0	0.4
W14200	13.6	3.60	200	20	2900	1750	7.0	5.14	7.7	17.0	0.4
W957	15.9	4.20	76	7.6	1100	1750	3.0	2.20	7.7	17.0	0.4
W958	15.9	4.20	96	9.6	1400	1750	4.0	2.94	7.7	17.0	0.4
W959	15.9	4.20	124	12.4	1800	1750	5.0	3.67	7.7	17.0	0.4
W16180	15.9	4.20	180	18	2610	1750	7.5	5.51	7.7	17.0	0.4

S  
E  
R  
I  
E  
S



**44****S  
E  
R  
I  
E  
S**

Modello Model Modèle Modell Modelo Modelo	Portata Flow rate Débit Förderstrom Caudal Fluxo		Pressione Pressure Pression Druck Presión Pressão			g/m rpm t/m upm r/m r/m	Potenza Power Puissance Leistung Potencia Poder		Peso Weight Poids Gewicht Peso Peso		
	L/min	gpm	bar	MPa	psi		Hp	kW	Kg	Ibs	
WW186	13	3.43	180	18	2610	2800	5.5	4.04	7.9	17.4	0.4
WW206	13	3.43	200	20	2900	2800	7.5	5.51	7.9	17.4	0.4
WW116	15	3.96	110	11	1600	2800	4.0	2.94	7.9	17.4	0.4
WW156	15	3.96	150	15	2175	2800	5.5	4.04	7.9	17.4	0.4
WW209	15	3.96	200	20	2900	2800	7.5	5.51	7.9	17.4	0.4
WW189	16	4.22	180	18	2610	2800	7.5	5.51	7.9	17.4	0.4
WW136	17	4.50	130	13	1885	2800	5.5	4.04	7.9	17.4	0.4
WW176	17	4.50	170	17	2465	2800	7.5	5.51	7.9	17.4	0.4
WW963	11	2.90	250	25	3600	3400	7.5	5.51	8.7	19.2	0.4
WW964	13	3.43	250	25	3600	3400	8.5	6.25	8.7	19.2	0.4
WW960	13.2	3.48	172	17.2	2500	3400	5.5	4.04	8.7	19.2	0.4
WW961	15	3.96	172	17.2	2500	3400	6.5	4.77	8.7	19.2	0.4
WW965	15	3.96	250	25	3600	3400	10	7.35	8.7	19.2	0.4
WW962	17.4	4.60	172	17.2	2500	3400	7.5	5.51	8.7	19.2	0.4



\* Fissare con Loctite 542 col. ROSSO  
 \* Affix with Loctite 542 col. RED  
 \* Fixer avec de la Loctite 542 couleur ROUGE  
 \* Mit Loctite 542 ROT befestigen  
 \* Fijar con Loctite 542 col. ROJO  
 \* Fixar com Loctite 542 cor. VERMELHA

DIS. COD. 44.9504.00

**KIT RICAMBI – SPARE KITS**

KIT Nr.	KIT 23	KIT 123	OTTONI BRASS			NICKEL			PISTONE- PISTON Ø15			PISTONE- PISTON Ø18			
			KIT 124	KIT 158	KIT 88	KIT 89	KIT 90	KIT 125	KIT 130	KIT 126	KIT 127	KIT 128	KIT 129	KIT 131	
Posizioni incluse Positions included	17	4-5 6-7 8-(11)	9-10	9-10	43-44 51	42	45	40-41	40-41 42-43 44-45 51	40-41 42-43 44-45 51	43-44 51	42	45	40-41 42-43 44-45 51	
Nr. Pcs.	3	6	6	6	3	3	6	3	3	1	3	3	6	3	1

**W97 - W112 - W124 - W130**  
**W140 - W150 - W154 - W170**  
**W200 - W204 - W950 - W951**  
**W952 - W953 - W954 - W955**  
**W956 - W957 - W958 - W959**  
**W14200 - W16180 - WW116**  
**WW136 - WW156 - WW176**  
**WW186 - WW189 - WW206**  
**WW209 - WW960 - WW961**  
**WW962**

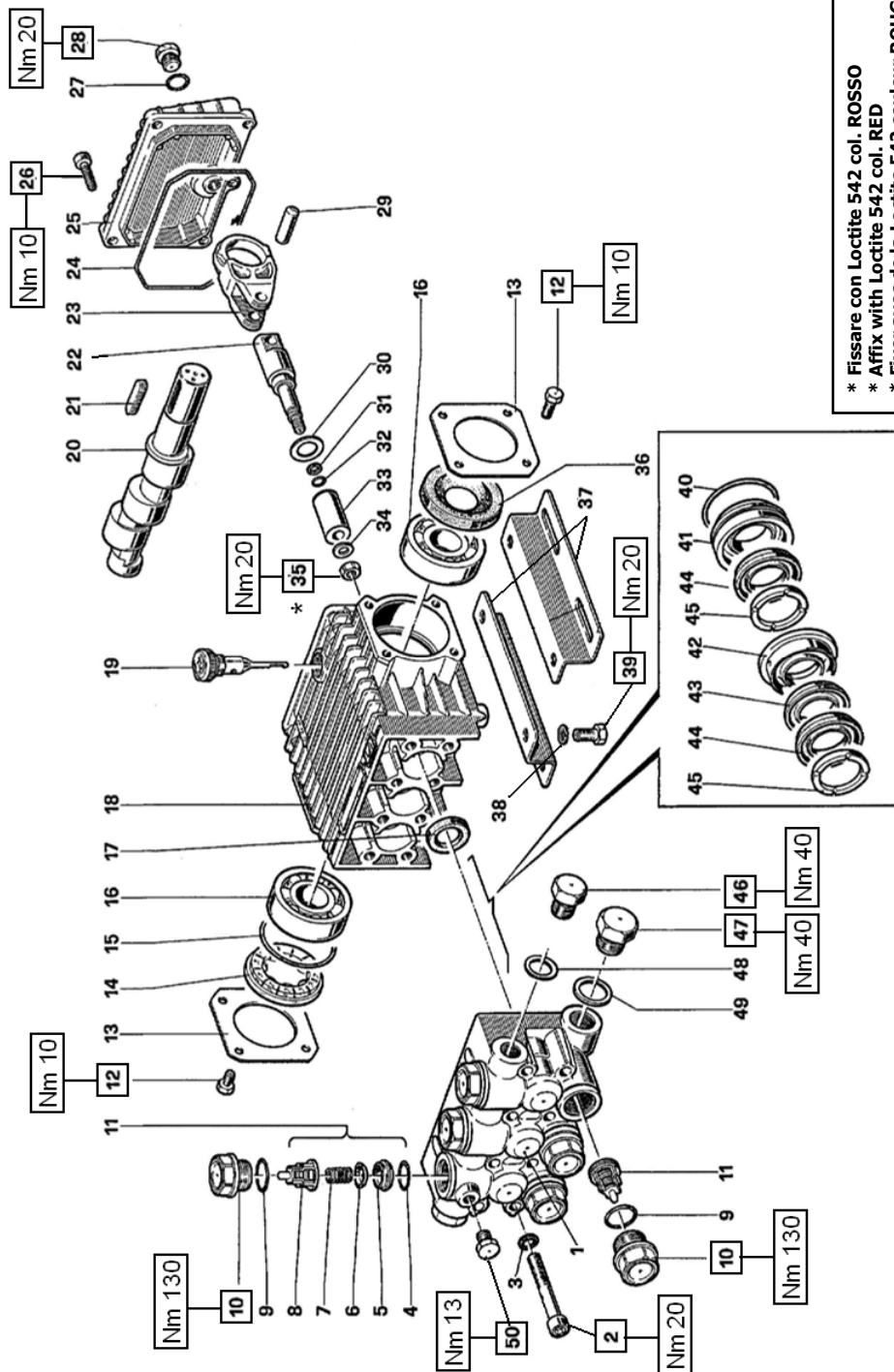
	PISTONE – PISTON Ø15		PISTONE – PISTON Ø18	
	COD.	DESCRIZIONE – DESCRIPTION - KIT	COD.	DESCRIZIONE – DESCRIPTION - KIT
OTTONI BRASS	W130 - W150 - W170 W950 - W951 - W952 W953 - WW116 - WW136 WW176 - WW186 - WW189 - WW206 WW209 - WW960 - WW961 - WW962	W97 - W112 - W124 W140 - W154 - W954 W955 - W956 - W957 W958 - W959	W200 - W204 W14200 - W16180	
NICKEL				

**DISTINTA – SPARE PARTS**

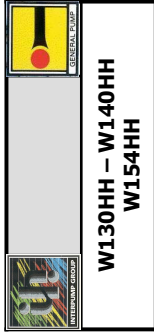
POS	COD.	DESCRIZIONE – DESCRIPTION - KIT	NR
1	44.1200.41	Testata Ø 15	1
	44.1204.41	Testata Ø 18	1
	44.1207.41	Testata Ø 18 - NICKEL	1
2	99.3175.00	Vite M8x60 UNI 5931	8
3	96.7014.00	Rosetta Ø 8.4x13x0.8	8
4	90.3841.00	OR Ø 17.13x2.62 (3068)	123
5	36.2003.66	Sede valvola	123
6	36.2001.76	Valvola	123
7	94.7376.00	Molla Ø 9.4x14.8	123
8	36.2025.51	Guida valvola	123
9	90.3847.00	OR Ø 20.24x2.62 (3081) 90 Sh. 124-158	6
10	98.2226.00	Tappo M24x1.5x17	124
	98.2225.00	Tappo M24x1.5x17 - NICKEL	158
11	36.7115.01	Gruppo valvola aspiraz./mand.	123
12	99.1807.00	Vite M6x10 UNI 5739	8

POS	COD.	DESCRIZIONE – DESCRIPTION - KIT	NR
13	50.1500.74	Coperchio carter	2
14	44.2118.01	Distanziale con indicatore	1
15	90.4097.00	OR Ø 55.56x3.53 (159)	1
16	91.8331.00	Cuscinetto a sfere 6305 - Spec.	2
17	90.1614.00	Anello rad. Ø 20x30x5	3
18	44.0100.22	Carter pompa	1
19	98.2103.00	Tappo carico olio G 3/8"	1
	44.0200.35	Albero - Ww186-Ww206	
	44.0203.35	Albero - W112-W140-W150-W950-W954 W955-W956-WW116-WW156-WW209-W200 W14200	1
20	44.0205.35	Albero - WW189	1
	44.0206.35	Albero - W97-W124-W130-W154-W170 W951-W952-W953-W957-W958-W959 WW136-WW176-W204-W16180	1
21	91.4892.00	Linguetta 8x7x35 UNI 6604	1
22	44.0500.66	Guida pistone	3
23	44.0300.22	Biella	3
24	90.3920.00	OR Ø 101.27x2.62 (3400)	1
25	44.1600.22	Coperchio posteriore	1
26	99.1837.00	Vite M6x14 UNI 5931	5
27	90.3585.00	OR Ø 10.82x1.78 (2043)	1
28	98.2041.00	Tappo G 1/4"x9	1
29	97.7340.00	Spinotto Ø 10x29.5	3
30	96.7350.00	Rosetta Ø 16x27x1.7/0.7	3
31	90.5022.00	Anello antief. Ø 6.2x9x1.5	3

POS	COD.	DESCRIZIONE – DESCRIPTION - KIT	NR
32	90.3572.00	OR Ø 5.28x1.78 (2021) - Spec.	3
33	52.0400.09	Pistone Ø 15	3
	44.0401.09	Pistone Ø 18	3
34	44.2115.70	Rosetta Ø 8 con collare	3
35	92.2216.00	Dado M8x13x5 - INOX	3
36	90.1641.00	Anello rad. Ø 25x6x2x10	1
37	50.2000.74	Piedino	2
38	96.7016.00	Rosetta Ø 8.4 UNI 1751	4
39	99.3037.00	Vite M8x16 UNI 5739	4
40	90.3612.00	OR Ø 31.47x1.78 (2125)	3
41	44.0800.70	Anello di fondo Ø 15	125-130
	44.0801.70	Anello di fondo Ø 18	126-131
42	52.2166.70	Anello intermedio Ø 15	89-130
	44.2161.70	Anello intermedio Ø 18	128-131
43	90.2622.00	Anello RESTOP Ø 15	88-130
	90.2683.00	Anello RESTOP Ø 18	127-131
44	90.2620.00	Anello tenuta Ø 15 HP	88-130
	90.2682.00	Anello tenuta Ø 18 HP	127-131
45	51.1000.51	Anello di testa Ø 15	90-130
	44.1001.51	Anello di testa Ø 18	129-131
46	98.2100.00	Tappo G 3/8"x13	1
47	98.2176.00	Tappo G 1/2"x10	1
48	96.7380.00	Rosetta Ø 17.5x23x1.5	1
49	96.7514.00	Rosetta Ø 21.5x27x1.5	1
50	98.1966.00	Tappo G 1/8"x8	1
51	90.2617.00	Anello tenuta Ø 15 LP	88-130
	90.2684.00	Anello tenuta Ø 18 LP	127-131



\* Fissare con Loctite 542 col. ROSSO  
 \* Affix with Loctite 542 col. RED  
 \* Fixer avec de la Loctite 542 couleur ROUGE  
 \* Mit Loctite 542 ROT befestigen  
 \* Fijar con Loctite 542 col. ROJO  
 \* Fixar com Loctite 542 cor. VERMELHA



**W130HH – W140HH  
W154HH**

PISTONE – PISTON -Ø15	PISTONE – PISTON - Ø18
<b>W130HH – W140HH</b>	<b>W154HH</b>

### DISTINTA – SPARE PARTS

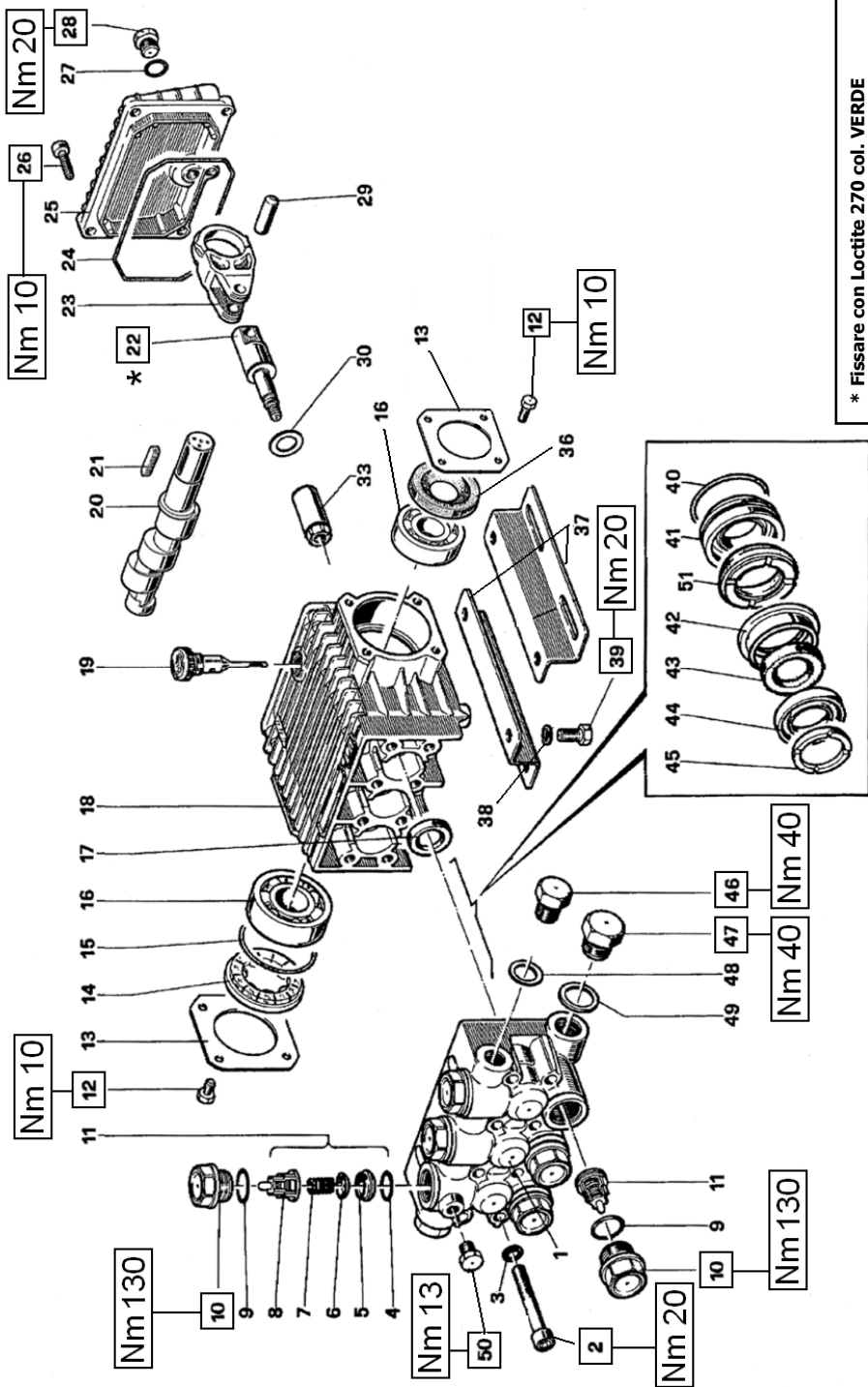
POS	COD.	DESCRIZIONE – DESCRIPTION - KIT	NR
1	44.1200.41	Testata Ø 15	1
1	44.1204.41	Testata Ø 18	1
2	99.3175.00	Vite M8x60 UNI 5931	8
3	96.7014.00	Rosetta Ø 8.4x13x0.8	8
4	90.3841.00	OR Ø 17.13x2.62 (3068)	123
5	36.2003.66	Sede valvola	123
6	36.2001.76	Valvola	123
7	94.7376.00	Molla Ø 9.4x14.8	123
8	36.2025.51	Guida valvola	123
9	90.3847.00	OR Ø 20.24x2.62 (3081) 90 Sh.	124
10	98.2226.00	Tappo M24x1.5x17	124
11	36.7115.01	Gruppo valvola aspiraz./mand.	123
12	99.1807.00	Vite M6x10 UNI 5739	8
13	50.1500.74	Coperchio carter	2
14	44.2118.01	Distanziale con indicatore	1
15	90.4097.00	OR Ø 55.56x3.53 (1359)	1
16	91.8331.00	Cuscinetto a sfere 6305 – Spec.	2
17	90.1614.00	Anello rad. Ø 20x30x5	23

### KIT RICAMBI – SPARE KITS

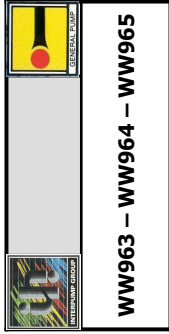
KIT Nr.	KIT 23	KIT 123	KIT 124	KIT 250	PISTONE- PISTON Ø15			PISTONE- PISTON Ø18			
	17	4-5 6-7 8- (11)	9-10	43-44	KIT 89	KIT 90	KIT 125	KIT 126	KIT 251	KIT 128	KIT 129
Posizioni include Positions included	17	4-5 6-7 8- (11)	9-10	43-44	42	45	40-41	40-41	43-44	42	45
Nr. Pcs.	3	6	6	3	3	6	3	3	3	6	3

POS	COD.	DESCRIZIONE – DESCRIPTION - KIT	NR
18	44.0100.22	Carter pompa	1
19	98.2103.00	Tappo carico olio G 3/8"	1
20	44.0203.35	Albero – W140HH	1
20	44.0206.35	Albero – W130HH-W154HH	1
21	91.4892.00	Linguetta 8x7x35 UNI 6604	1
22	44.0500.66	Guida pistone	3
23	44.0300.22	Biella	3
24	90.3920.00	OR Ø 101.27x2.62 (3400)	1
25	44.1600.22	Coperchio posteriore	1
26	99.1837.00	Vite M6x14 UNI 5931	5
27	90.3585.00	OR Ø 10.82x1.78 (2043)	1
28	98.2041.00	Tappo G 1/4"X9	1
29	97.7340.00	Spinotto Ø 10x29.5	3
30	96.7350.00	Rosetta Ø 16x27x1.7/0.7	3
31	90.5022.00	Anello antiest. Ø 6.2x9x1.5	3
32	90.3572.00	OR Ø 5.28x1.78 (2021) – Spec.	3
33	52.0400.09	Pistone Ø 15	3
33	44.0401.09	Pistone Ø 18	3
34	44.2115.70	Rosetta Ø 8 con collare	3
35	92.2216.00	Dado M8x13x5 – INOX	3
36	90.1641.00	Anello rad. Ø 25x62x10	1
37	50.2000.74	Piedino	2
38	96.7016.00	Rosetta Ø 8.4 UNI 1751	4

POS	COD.	DESCRIZIONE – DESCRIPTION - KIT	NR
39	99.3037.00	Vite M8x16 UNI 5739	4
40	90.3612.00	OR Ø 31.47x1.78 (2125)	3
41	44.0800.70	Anello di fondo Ø 15	125
41	44.0801.70	Anello di fondo Ø 18	126
42	52.2166.70	Anello intermedio Ø 15	89
42	44.2161.70	Anello intermedio Ø 18	128
43	90.2622.00	Anello RESTOP Ø 15	250
43	90.2683.00	Anello RESTOP Ø 18	251
44	90.2620.00	Anello tenuta Ø 15 HP	250
44	90.2682.00	Anello tenuta Ø 18 HP	251
45	51.1000.51	Anello di testa Ø 15	90
45	44.1001.51	Anello di testa Ø 18	129
46	98.2100.00	Tappo G 3/8"X13	1
47	98.2176.00	Tappo G 1/2"X10	1
48	96.7380.00	Rosetta Ø 17.5x23x1.5	1
49	96.7514.00	Rosetta Ø 21.5x27x1.5	1
50	98.1966.00	Tappo G 1/8"X8	1



\* Fissare con Loctite 270 col. VERDE  
 \* Affix with Loctite 270 col. GREEN  
 \* Fixer avec de la Loctite 270 couleur VERT  
 \* Mit Loctite 270 GRÜN befestigen  
 \* Fijar con Loctite 270 col. VERDE  
 \* Fixar com Loctite 270 cor. VERDE



**WW963 – WW964 – WW965**

**KIT RICAMBI – SPARE KITS**

KIT Nr.	KIT 23	KIT 123	KIT 152	KIT 153	KIT 154	KIT 155	KIT 156	KIT 158
Posizioni incluse Positions included	17	4 – 5 6 – 7 8 – (11)	40 – 41 40 – 41	43 – 44 51	42	45	40 – 41 42 – 43 44 – 45 51	9 – 10
Nr. Pcs.	3	6	3	3	3	6	3	6

**DISTINTA – SPARE PARTS**

POS	COD.	DESCRIZIONE – DESCRIPTION - KIT	NR
1	44.1208.41	Testata Ø 13 - NICKEL	1
2	99.3175.00	Vite M8x60 UNI 5931	8
3	96.7014.00	Rosetta Ø 8.4x13x0.8	8
4	90.3841.00	OR Ø 17.13x2.62 (3068)	123
5	36.2003.66	Sede valvola	123
6	36.2001.76	Valvola	123
7	94.7376.00	Molla Ø 9.4x14.8	123
8	36.2025.51	Guida valvola	123
9	90.3847.00	OR Ø 20.24x2.62 (3081) 90 Sh.	158
10	98.2225.00	Tappo M24x1.5x17 - NICKEL	158
11	36.7115.01	Gruppo valvola aspiraz./mand.	123
12	99.1807.00	Vite M6x10 UNI 5739	8
13	50.1500.74	Coperchio carter	2
14	44.2118.01	Distanziale con indicatore	1
15	90.4097.00	OR Ø 55.56x3.53 (159)	1
16	91.8331.00	Cuscinetto a sfere 6305 – Spec.	2
17	90.1614.00	Anello rad. Ø 20x30x5	23
18	44.0100.22	Carter pompa	1
19	98.2103.00	Tappo carico olio G 3/8"	1

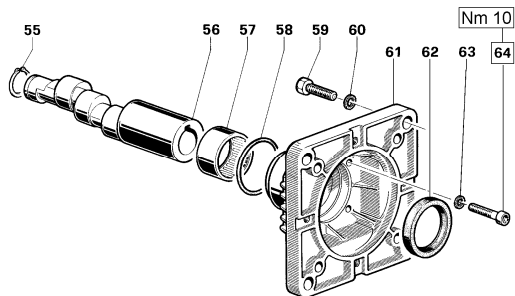
POS	COD.	DESCRIZIONE – DESCRIPTION - KIT	NR
20	44.0200.35	Albero – WW963	1
	44.0203.35	Albero – WW964	1
	44.0206.35	Albero – WW965	1
21	91.4892.00	Linguetta 8x7x35 UNI 6604	1
22	44.0501.66	Guida pistone	3
23	44.0300.22	Biella	3
24	90.3920.00	OR Ø 101.27x2.62 (3400)	1
25	44.1600.22	Coperchio posteriore	1
26	99.1837.00	Vite M6x14 UNI 5931	5
27	90.3585.00	OR Ø 10.82x1.78 (2043)	1
28	98.2041.00	Tappo G 1/4"x9	1
29	97.7340.00	Spinotto Ø 10x29.5	3
30	96.6967.00	Rosetta Ø 7.1x28x0.5	3
33	44.0402.66	Pistone Ø 13	3
36	90.1641.00	Anello rad. Ø 25x62x10	1
37	50.2000.74	Piedino	2
38	96.7016.00	Rosetta Ø 8.4 UNI 1751	4
39	99.3037.00	Vite M8x16 UNI 5739	4
40	90.3612.00	OR Ø 31.47x1.78 (2125)	152-156
41	44.0803.70	Anello di fondo Ø 13	152-156
42	52.2162.70	Anello intermedio Ø 13	154-156
43	90.5076.00	Anello antiest. Ø 13x17x2	153-156
44	90.2602.00	Anello tenuta Ø 13 HP	153-156

POS	COD.	DESCRIZIONE – DESCRIPTION - KIT	NR
45	44.1002.51	Anello di testa Ø 13	155-156
46	98.2100.00	Tappo G 3/8"x13	1
47	98.2176.00	Tappo G 1/2"x10	1
48	96.7380.00	Rosetta Ø 17.5x23x1.5	1
49	96.7514.00	Rosetta Ø 21.5x27x1.5	1
50	98.1967.00	Tappo G 1/8"x8 - NICKEL	1
51	90.2603.00	Anello tenuta Ø 13 LP	153-156



## VERSION A (for electric motors NEMA 184 TC)

**W950 – W951 – W952 – W953 - W954  
W955 – W956 – W957 – W958 – W959  
W14200 – W16180 - WW964 – WW965**

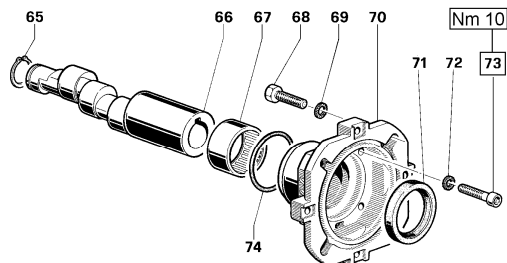


DIS. COD. 44.9501.00

POS	COD.	DESCRIZIONE - DESCRIPTION	NR
55	90.0635.00	Anello di fermo Ø 25	1
56	44.0214.65	Albero - W950-W954-W955-W956 W14200	1
	44.0216.65	Albero - W951-W952-W953-W957 W958-W959-W16180	1
57	91.8568.00	Boccola a rullini	1
58	90.4097.00	OR Ø 55.56x3.53 (159)	1
59	99.4600.00	Vite 1/2"-13x1- 1/4"	4
60	96.7195.00	Rosetta Ø 13x18x1.1	4
61	10.0504.22	Flangia per motore elettrico	1
62	90.1690.00	Anello rad. Ø 45x62x8	1
63	96.6938.00	Rosetta Ø 6.4x10x0.7	4
64	99.1912.00	Vite M6x30 UNI 5931	4

## VERSION B (for electric motors IEC 100-112 B14)

**W97 – W112 – W124 – W130 – W130HH  
W140 – W140HH - W150 – W154  
W154HH – W170 – W200 – W204  
WW116- WW136 – WW156 – WW176  
WW186 - WW206 – WW209**

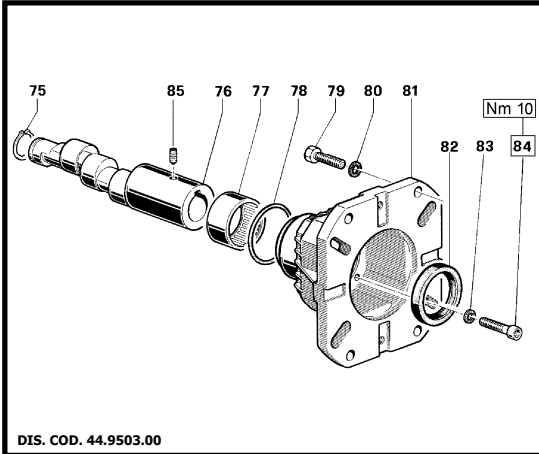


DIS. COD. 44.9502.00

POS	COD.	DESCRIZIONE - DESCRIPTION	NR
65	90.0635.00	Anello di fermo Ø 25	1
66	44.0213.65	Albero - W112-W140-W150-WW116 WW156-WW209-W200	1
	44.0215.65	Albero - W97-W124-W130-W154 W170-WW136-WW176-W204	1
	44.0210.65	Albero - WW186-WW206	1
67	91.8568.00	Boccola a rullini	1
68	99.3067.00	Vite M8x25 UNI 5739	4
69	96.7014.00	Rosetta Ø 8.4x13x0.8	4
70	10.0494.22	Flangia per motore elettrico	1
71	90.1690.00	Anello rad. Ø 45x62x8	1
72	96.6938.00	Rosetta Ø 6.4x10x0.7	4
73	99.1912.00	Vite M6x30 UNI 5931	4
74	90.4097.00	OR Ø 55.56x3.53 (159)	1

# VERSION C (for gasoline engines SAE J 609 type B ext.4)

## WW960 – WW961 – WW962 WW963 - WW964 – WW965



POS	COD.	DESCRIZIONE - DESCRIPTION	NR
75	90.0635.00	Anello di fermo Ø 25	1
76	44.0220.65	Albero – WW960	1
	44.0209.65	Albero – WW961-WW963	1
	44.0212.65	Albero – WW962-WW964	1
	44.0221.65	Albero – WW965	1
77	91.8568.00	Boccola a rullini	1
78	90.4097.00	OR Ø 55.56x3.53 (159)	1
79	99.2755.00	Vite 5/16"-24x1"	4
	99.3345.00	Vite 3/8"-16x1"	4
80	96.7020.00	Rosetta Ø 8.4x15x1.5	4
	96.7104.00	Rosetta Ø 10.5x16x1	4
81	10.0518.22	Flangia per motore a scoppio	1
82	90.1690.00	Anello rad. Ø 45x62x8	1
83	96.6938.00	Rosetta Ø 6.4x10x0.7	4
84	99.1912.00	Vite M6x30 UNI 5931	4
85	99.1790.00	Vite M6x6 UNI 5929	1

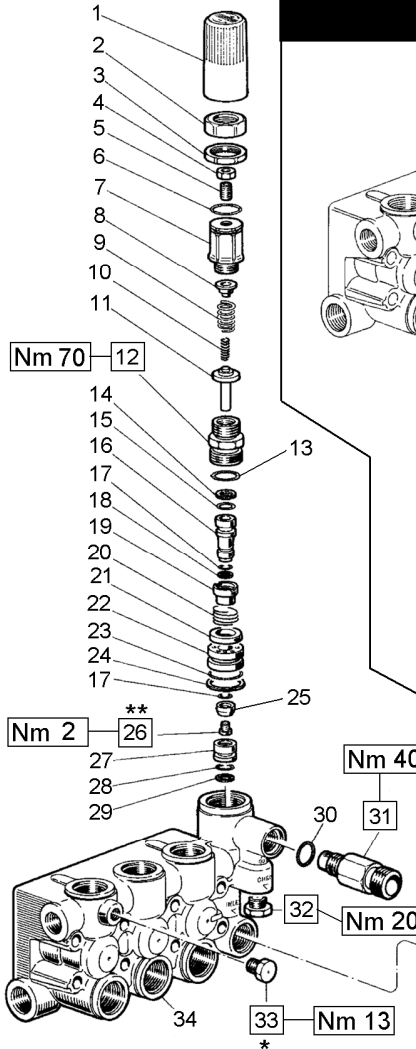
# VH VERSION

VERSIONE CON VALVOLA DI REGOLAZIONE AUT. – VERSION WITH BUILT-IN AUT. UNLOADER  
 VERSION AVEC RÉGULATEUR AUT. DE PRESSION INCORPORÉ  
 AUSFÜHRUNG MIT EINGEBAUTEM AUT. DRUCKREGULIERVENTIL

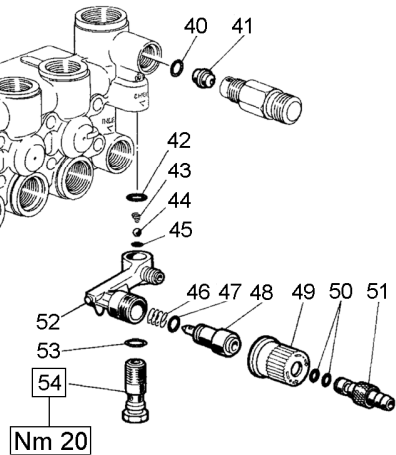
VERSIÓN CON REGULADOR AUT. DE PRESIÓN INCORPORADO - VERSÃO COM VÁLVULA DO REGULAMENTO AUT.

- \* Fissare con Loctite 542 col. ROSSO
- \* Affix with Loctite 542 col. RED
- \* Fixer avec de la Loctite 542 couleur ROUGE
- \* Mit Loctite 542 ROT befestigen
- \* Fijar con Loctite 542 col. ROJO
- \* Fixar com Loctite 542 cor. VERMELHA

- \*\* Fissare con Loctite 270 col. VERDE
- \*\* Affix with Loctite 270 col. GREEN
- \*\* Fixer avec de la Loctite 270 couleur VERT
- \*\* Mit Loctite 270 GRÜN befestigen
- \*\* Fijar con Loctite 270 col. VERDE
- \*\* Fixar com Loctite 270 cor. VERDE



## OPTIONALS



# VH VERSION

**VERSIONE CON VALVOLA DI REGOLAZIONE AUT. – VERSION WITH BUILT-IN AUT. UNLOADER  
VERSION AVEC RÉGULATEUR AUT. DE PRESSION INCORPORÉ  
AUSFÜHRUNG MIT EINGEBAUTEM AUT. DRUCKREGULIERVENTIL  
VERSIÓN CON REGULADOR AUT. DE PRESIÓN INCORPORADO - VERSÃO COM VÁLVULA DO REGULAMENTO AUT.**

POS	COD.	DESCRIZIONE – DESCRIPTION - KIT	N
1	36.3187.51	Pomolo	1
2	36.3186.70	Ghiera – <b>OPTIONAL</b>	1
3	92.2935.00	Dado M28x1.5 - <b>OPTIONAL</b>	1
4	92.2218.00	Dado M8x13 UNI 5589	1
5	99.3054.00	Vite M8x20 UNI 5923	1
6	90.3598.00	OR Ø 20.35x1.78 (2081)	1
7	36.3185.70	Registro pressione	1
8	36.3169.70	Piattello molla	1
9	94.7436.00	Molla Ø 15x35	1
10	94.7345.00	Molla Ø 7.6x29	1
11	36.3233.70	Piattello inferiore molla	1
12	36.3228.70	Boccola di guida	1
13	90.3857.00	OR Ø 23.81x2.62 (132)	1
14	90.5052.00	Anello antiest. Ø 9.6x14x1.5	137 1
15	90.3820.00	OR Ø 9.13x2.62 (109) – Spec.	137 1
16	36.3234.70	Pistoncino di comando	137 1
17	90.3575.00	OR Ø 6.75x1.78 (106) – Spec.	137 2
18	90.5025.00	Anello antiest. Ø 7x10x1.5	137 1
19	36.3230.70	Distanziale	137 1
20	94.7485.00	Molla Ø 18.5x11,5	137 1
21	36.3231.51	Valvola	137 1
22	36.3229.70	Guida valvola	137 1
23	90.3600.00	OR Ø 21.95x1.78 (2087)	137 1
24	90.5144.00	Anello antiest. Ø 22x25x1.5	137 1
25	36.3190.66	Valvola sferica	137 1
26	99.1509.00	Vite M5x0.8x8.5 – INOX	137 1
27	36.3164.66	Sede valvola	137 1
28	90.3822.00	OR Ø 9.92x2.62 (112) – Spec.	137 1
29	90.5065.00	Anello antiest. Ø 10.6x15x2	137 1
30	90.3832.00	OR Ø 13.95x2.62 (3056) – Spec.	94 1
31	10.0078.70 10.0147.70	Nipplo G 3/8" - Ø3 Nipplo M22x1.5 – Ø3	1 1
32	98.2057.00	Tappo M14x1.5	1

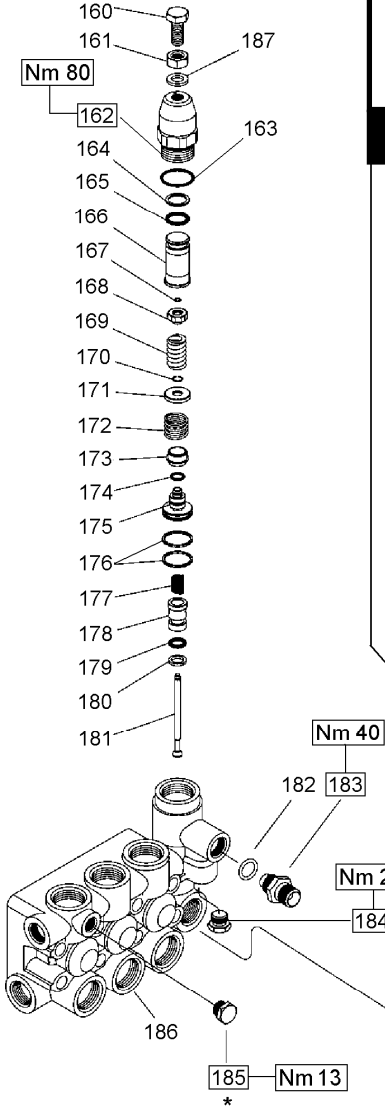
33	98.1966.00	Tappo G 1/8"x8	1
34	44.1201.41 44.1205.41	Testata Ø15 Testata Ø18	1 1
OPTIONALS			
POS	COD.	DESCRIZIONE – DESCRIPTION - KIT	N
40	90.3822.00	OR Ø 9.92x2.62 (112) – Spec.	94 1
41	10.0151.66 10.0076.66	Ugello – Nozzle Ø 2 (8÷11 l/min.) Ugello – Nozzle Ø 2.2 (12÷17 l/min.)	1 1
42	90.3582.00	OR Ø 9.25x1.78 (2037)	94 1
43	94.8217.00	Molla conica Ø 4.3/7.3x11	94 1
44	97.4782.00	Sfera Ø 7/32"	94 1
45	90.3572.00	OR Ø 5.28x1.78 (2021) – Spec.	94 1
46	94.7383.00	Molla Ø 9.75x10	94 1
47	90.3580.00	OR Ø 8.73x1.78 (108) – Spec.	94 1
48	36.2564.70	Otturatore	1
49	36.2565.51	Pomolo	1
50	90.3570.00	OR Ø 4.48x1.78 (2018)	94 1
51	36.2566.70	Innesto porta-gomma	1
52	36.3181.51	Corpo dosatore	1
53	90.3585.00	OR Ø 10.82x1.78 (2043)	94 1
60	90.3841.00	OR Ø 17.13x2.62 (3068)	1
61	36.3182.51	Nipplo di aspirazione G 3/4"	1
62	92.8925.00	Filtro	1
63	90.3828.00	OR Ø 12.37x2.62 (3050)	1
64	36.2569.51	Porta-gomma aspirazione	1
65	92.9828.00	Ghiera G 3/4"	1

## KIT RICAMBI – SPARE KITS

KIT NR.	KIT 94	KIT 137
<b>Posizioni include</b>	<b>30 – 40 – 42</b>	<b>14 – 15 – 16</b>
<b>Positions included</b>	<b>43 – 44 – 45</b>	<b>17 – 18 – 19</b>
	<b>46 – 47 – 50</b>	<b>20 – 21 – 22</b>
	<b>53</b>	<b>23 – 24 – 25</b>
		<b>26 – 27 – 28</b>
		<b>29</b>
<b>Nr. Pcs.</b>	<b>1</b>	<b>1</b>

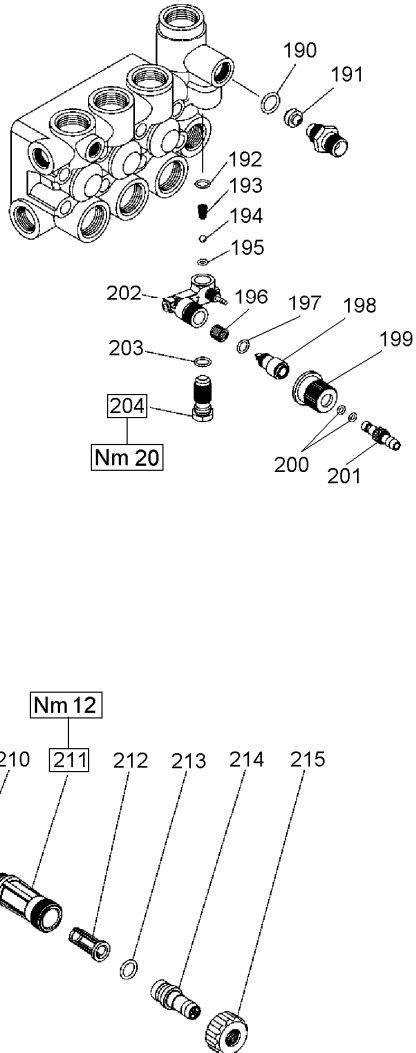
# VK VERSION

**VERSIONE CON VALVOLA DI REGOLAZIONE AUT. – VERSION WITH BUILT-IN AUT. UNLOADER**  
**VERSION AVEC RÉGULATEUR AUT. DE PRESSION INCORPORÉ**  
**AUSFÜHRUNG MIT EINGEBAUTEM AUT. DRUCKREGULIERVENTIL**  
**VERSIÓN CON REGULADOR AUT. DE PRESIÓN INCORPORADO - VERSÃO COM VÁLVULA DO REGULAMENTO AUT.**



- \* Fissare con Loctite 542 col. ROSSO
- \* Affix with Loctite 542 col. RED
- \* Fixer avec de la Loctite 542 couleur ROUGE
- \* Mit Loctite 542 ROT befestigen
- \* Fijar con Loctite 542 col. ROJO
- \* Fixar com Loctite 542 cor. VERMELHA

## OPTIONALS



# VH VERSION

**VERSIONE CON VALVOLA DI REGOLAZIONE AUT. – VERSION WITH BUILT-IN AUT. UNLOADER  
VERSION AVEC RÉGULATEUR AUT. DE PRESSION INCORPORÉ  
AUSFÜHRUNG MIT EINGEBAUTEM AUT. DRUCKREGULIERVENTIL  
VERSÓN CON REGULADOR AUT. DE PRESIÓN INCORPORADO - VERSÃO COM VÁLVULA DO REGULAMENTO AUT.**

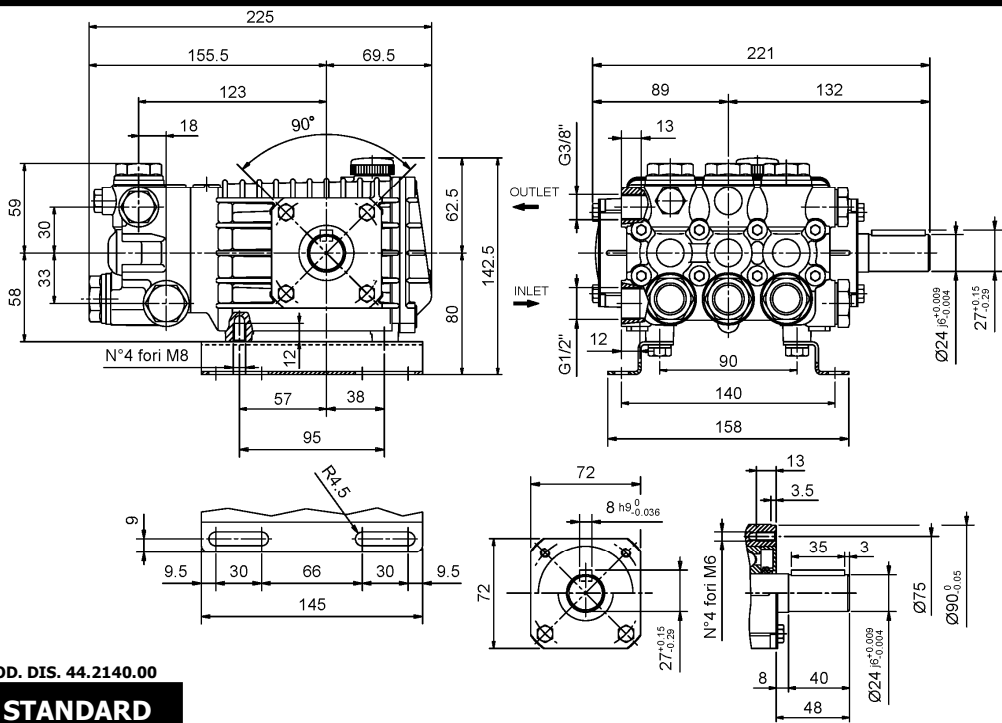
POS	COD.	DESCRIZIONE – DESCRIPTION – KIT	N
160	99.3663.00	Vite M10x1.25x25 UNI 5740	1
161	92.2368.00	Dado M10x1.25 UNI 5589	1
162	36.3270.70	Corpo superiore	1
163	90.3604.00	OR Ø 25.12x1.78 (2100)	1
164	90.5090.00	Anello antiest. Ø 15.8x20x1.3	1
165	90.3835.00	OR Ø 15.08x2.62 (119)	1
166	36.3271.00	Fine corsa	1
167	90.0059.00	Anello di arresto Ø 5 UNI 7433 177	1
168	36.3274.70	Piattello molla 177	1
169	94.7408.00	Molla Ø 12.5x26 177	1
170	90.0062.00	Anello di arresto Ø 8 UNI 7433 177	1
171	36.3273.70	Piattello molla 177	1
172	94.7480.00	Molla Ø 18.2x16.5 177	1
173	36.3277.56	Otturatore 177	1
174	90.3581.00	OR Ø 8.73x1.78 (108) 177	1
175	36.3272.70	Pistoncino di comando 177	1
176	92.7710.00	Fascia elastica Ø 25 177	2
177	94.7372.00	Molla 9.3x15 177	1
178	36.3276.66	Sede valvola 177	1
179	90.3823.00	OR Ø 9.92x2.62 (112) 177	1
180	90.5065.00	Anello antiest. Ø 10.6x15x2 177	1
181	36.3275.66	Asta valvola 177	1
182	90.3832.00	OR Ø 13.95x2.62 (3056) – Spec. 94	1
183	10.0078.70 10.0147.70	Nipplo G 3/8" - Ø 3 Nipplo M22x1.5 – Ø 3	1 1
184	98.2057.00	Tappo M14x1.5	1
185	98.1966.00	Tappo G 1/8"x8	1
186	44.1201.41 44.1205.41	Testata Ø 15 Testata Ø 18	1 1
187	96.7103.00	Rosetta Ø 10.5x18x2	1

OPTIONALS			
POS	COD.	DESCRIZIONE – DESCRIPTION - KIT	N
190	90.3822.00	OR Ø 9.92x2.62 (112) – Spec. 94	1
191	10.0151.66 10.0076.66	Ugello – Nozzle Ø 2 (8÷11 l/min.) Ugello – Nozzle Ø 2.2 (12÷17 l/min.)	1 1
192	90.3582.00	Or Ø 9.25x1.78 (2037) 94	1
193	94.8217.00	Molla conica Ø 4.3/7.3x11 94	1
194	97.4782.00	Sfera Ø 7/32" 94	1
195	90.3572.00	OR Ø 5.25x1.78 (2021) – Spec. 94	1
196	94.7383.00	Molla Ø 9.75x10 94	1
197	90.3580.00	OR Ø 8.73x1.78 (108) – Spec. 94	1
198	36.2564.70	Otturatore	1
199	36.2565.51	Pomolo	1
200	90.3570.00	OR Ø 4.48x1.78 (2018) 94	2
201	36.2566.70	Innesto porta-gomma	1
202	36.3181.51	Corpo dosatore	1
203	90.3585.00	OR Ø 10.82x1.78 (2043) 94	1
204	36.2563.70	Sede valvola	1
210	90.3841.00	OR Ø 17.13x2.62 (3068)	1
211	36.3182.51	Nipplo di aspirazione G 3/4"	1
212	92.8925.00	Filtro	1
213	90.3828.00	OR Ø 12.37x2.62 (3050)	1
214	36.2569.51	Porta-gomma aspirazione	1
215	92.9828.00	Ghiera G 3/4"	1

## KIT RICAMBI – SPARE KITS

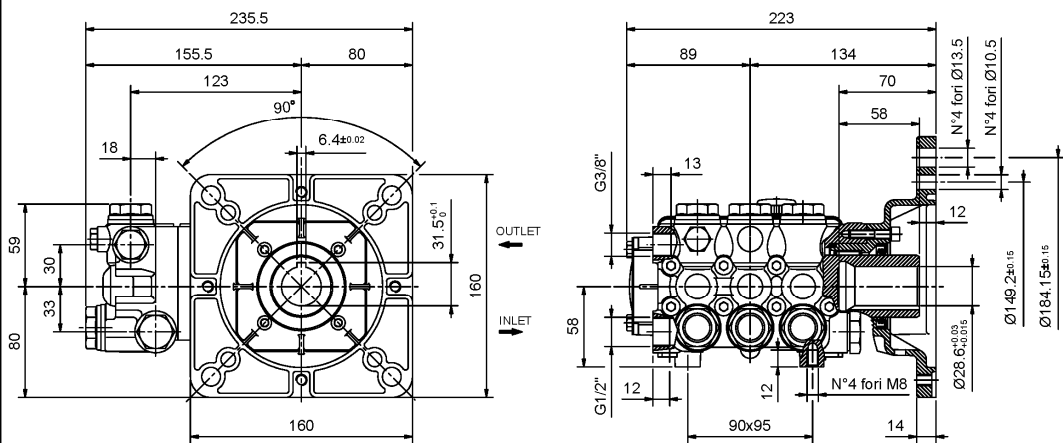
KIT NR.	KIT 94	KIT 177
<b>Posizioni incluse Positions included</b>	<b>182 – 190 – 192 193 – 194 – 195 196 – 197 – 200 203</b>	<b>167 – 168 – 169 170 – 171 – 172 173 – 174 – 175 176 – 177 – 178 179 – 180 – 181</b>
<b>Nr. Pcs.</b>	<b>1</b>	<b>1</b>

**DIMENSIONI D'INGOMBRO – OVERALL DIMENSIONS – DIMENSIONS D'ENCOMBREMENT  
RAUMBEDARF – DIMENSIONES TOTALES – DIMENSÕES**



**COD. DIS. 44.2140.00**

**STANDARD**



**W950 – W951**

**W952 – W953**

**W954 – W955**

**W956 – W957**

**W958 – W959**

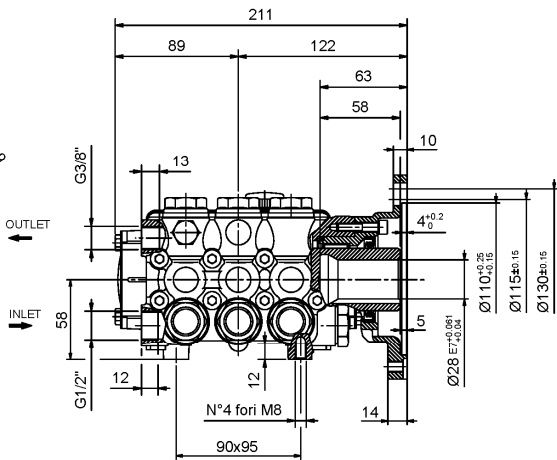
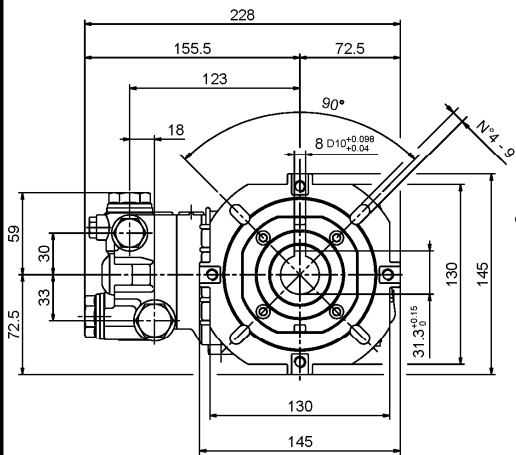
**W14200 – W16180**

**WW964 – WW965**

**COD. DIS. 44.2143.00**

**A**

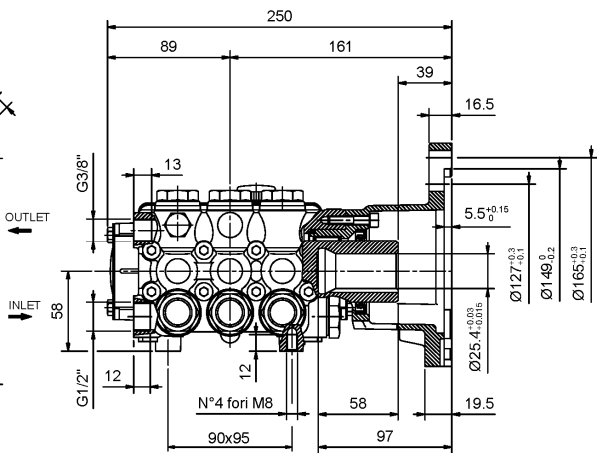
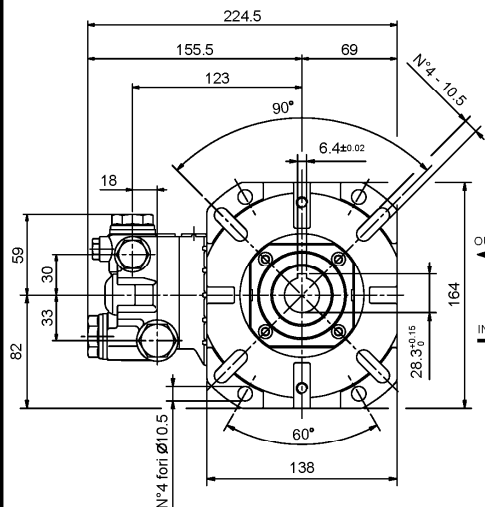
**DIMENSIONI D'INGOMBRO – OVERALL DIMENSIONS – DIMENSIONS D'ENCOMBREMENT  
RAUMBEDARF – DIMENSIONES TOTALES – DIMENSÕES**



**B**

**W97 – W112 – W124  
W130 – W130HH  
W140 – W140HH  
W150 – W154 - W154HH  
W170 – W200 – W204  
WW116  
WW136 – WW156 – WW176  
WW186 – WW206 – WW209**

**COD. DIS. 44.2145.00**



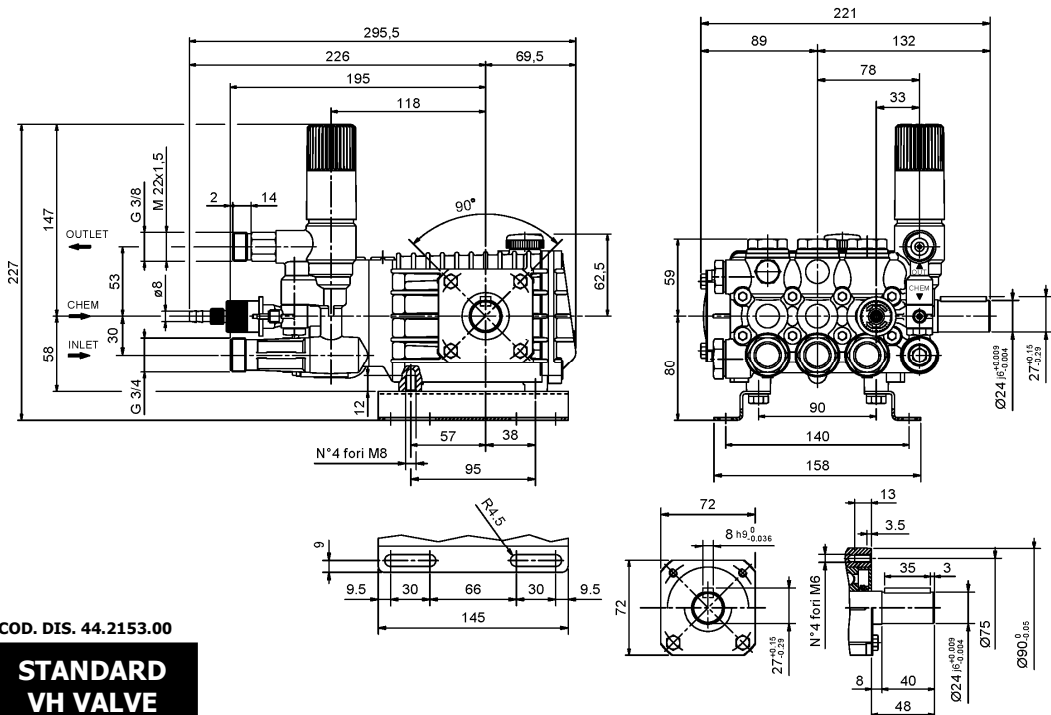
**C**

**WW960 - WW961  
WW962 - WW963  
WW964 – WW965**

**COD. DIS. 44.2144.00**

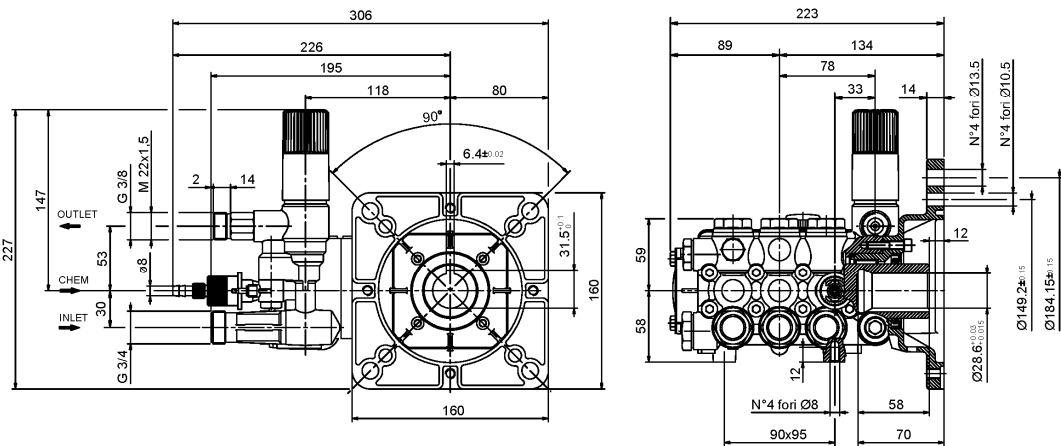


**DIMENSIONI D'INGOMBRO – OVERALL DIMENSIONS – DIMENSIONS D'ENCOMBREMENT  
RAUMBEDARF – DIMENSIONES TOTALES – DIMENSÕES**



COD. DIS. 44.2153.00

**STANDARD  
VH VALVE**

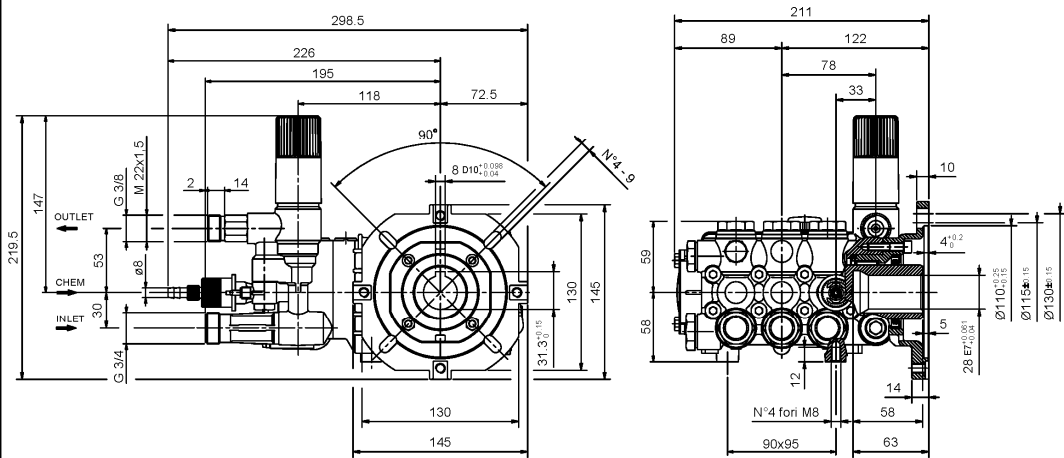


**A – VH VALVE**

COD. DIS. 44.2154.00

**W950 – W951  
W952 – W953  
W954 – W955  
W956 – W957  
W958 – W959  
WW964 – WW965**

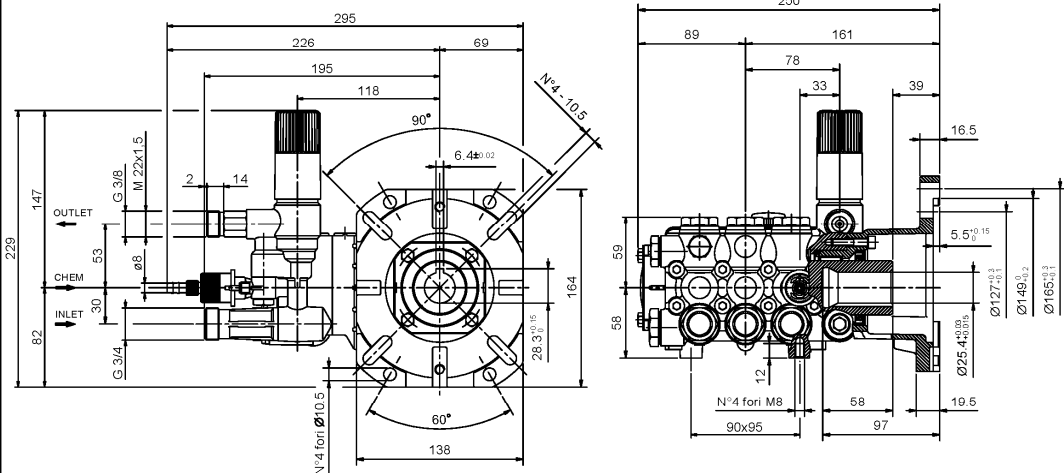
**DIMENSIONI D'INGOMBRO – OVERALL DIMENSIONS – DIMENSIONS D'ENCOMBREMENT  
RAUMBEDARF – DIMENSIONES TOTALES – DIMENSÕES**



**B – VH VALVE**

**COD. DIS. 44.2155.00**

**W97 – W112 – W124  
W130 – W130HH  
W140 – W140HH  
W150 – W154 - W154HH  
W170 – WW116  
WW136 – WW156 - WW176  
WW186 – WW206 – WW209**

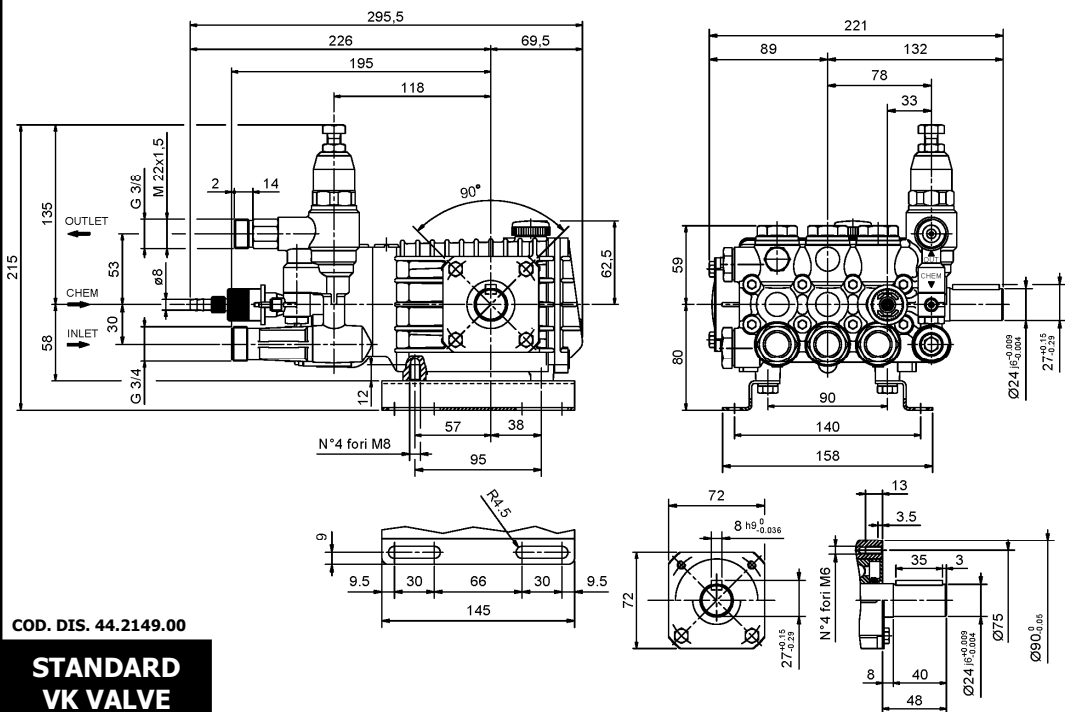


**C – VH VALVE**

**COD. DIS. 44.2156.00**

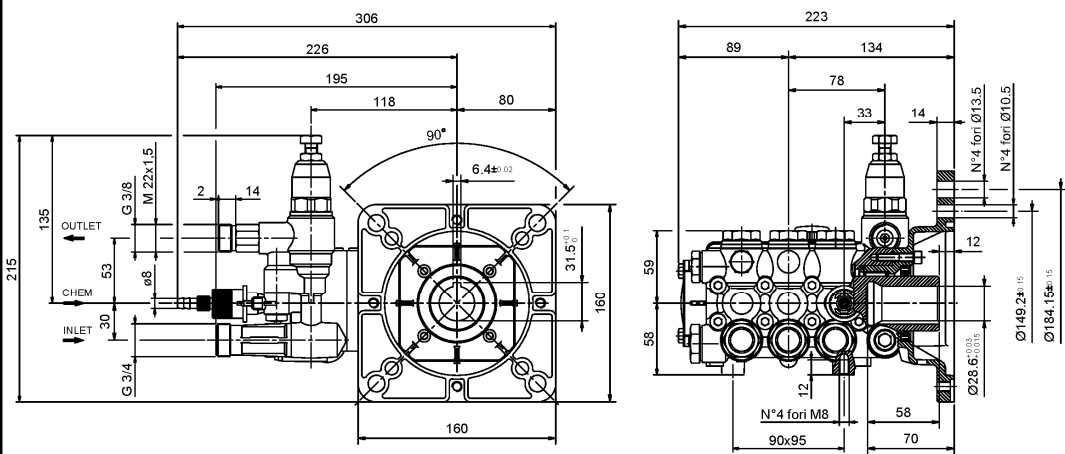
**WW960 – WW961  
WW962 – WW963  
WW964 – WW965**

**DIMENSIONI D'INGOMBRO – OVERALL DIMENSIONS – DIMENSIONS D'ENCOMBREMENT  
RAUMBEDARF – DIMENSIONES TOTALES – DIMENSÕES**



COD. DIS. 44.2149.00

**STANDARD  
VK VALVE**

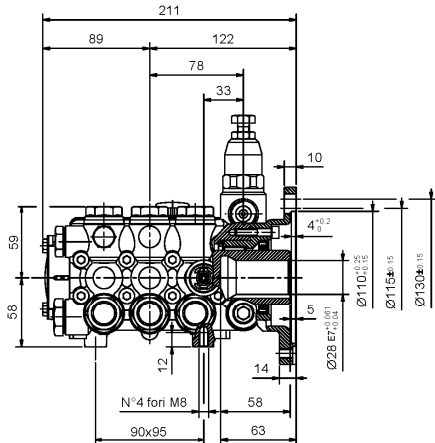
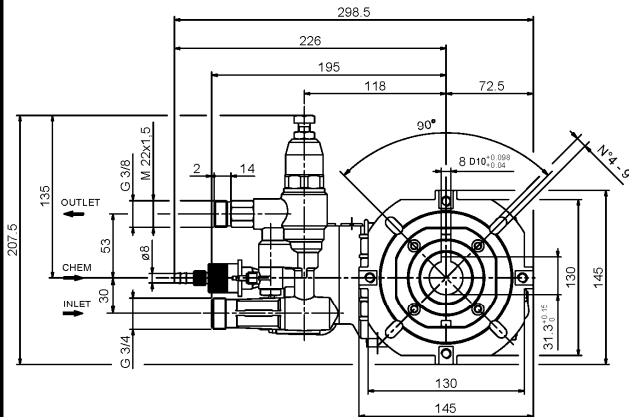


**A – VK VALVE**

COD. DIS. 44.2157.00

**W950 – W951  
W952 – W953  
W954 – W955  
W956 – W957  
W958 – W959  
WW964 – WW965**

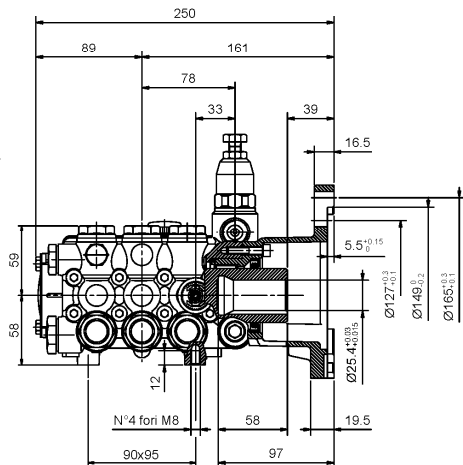
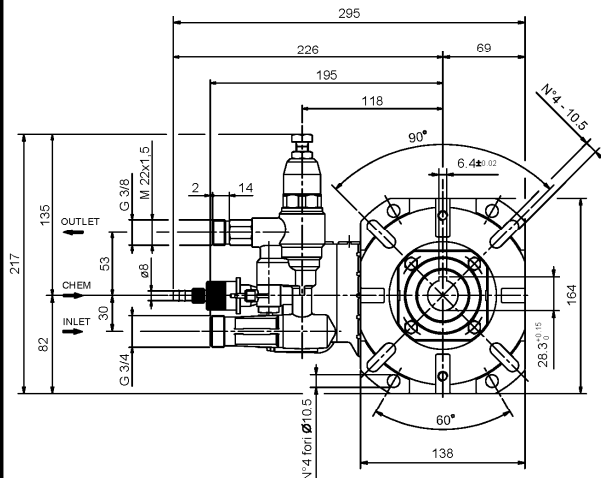
**DIMENSIONI D'INGOMBRO – OVERALL DIMENSIONS – DIMENSIONS D'ENCOMBREMENT  
RAUMBEDARF – DIMENSIONES TOTALES – DIMENSÕES**



**W97 – W112 – W124  
W130 – W130HH  
W140 – W140HH  
W150 – W154 - W154HH  
W170 – WW116  
WW136 – WW156 - WW176  
WW186 – WW206 – WW209**

**B – VK VALVE**

**COD. DIS. 44.2158.00**



**C – VK VALVE**

**COD. DIS. 44.2159.00**

**WW960 - WW961  
WW962 - WW963  
WW964 – WW965**

## 1 - CAMBIO OLIO

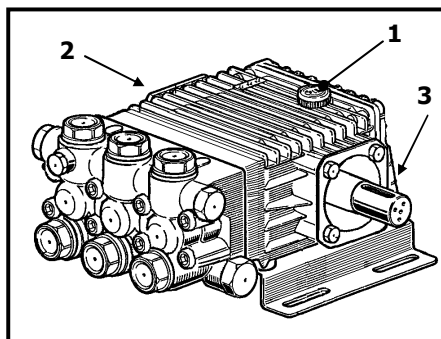
1.1 – Il cambio dell'olio va eseguito con pompa a temperatura di lavoro.

1.2 – Posizionare un recipiente sotto il tappo di scarico olio (3).

1.3 – Rimuovere il tappo con asta (1) e successivamente il tappo di scarico (3).

1.4 – Attendere fino a quando tutto l'olio è uscito, quindi riavvitare il tappo di scarico (3) con la coppia torcente indicata su disegno esploso.

1.5 – Riempire con olio nuovo fino al raggiungimento della mezzeria del tappo spia livello olio (2) e riavvitare il tappo con asta (1).



**Per il tipo di olio da utilizzare fare riferimento a quanto indicato sul libretto generico.**



**ATTENZIONE: L'olio esausto deve essere raccolto in recipienti e smaltito negli appositi centri in accordo alla normativa vigente. Non deve essere assolutamente disperso nell'ambiente.**

## 1 – OIL CHANGING

1.1 – Oil changing must be done with the pump at operating temperature.

1.2 – Put a container under the oil drain plug (3).

1.3 – Remove the oil dipstick (1) and then the drain plug (3).

1.4 – Wait until all the oil has drained out, then screw the drain plug (3) and tighten at the torque shown in the exploded diagram.

1.5 – Fill with new oil until the middle of the oil level indicator (2) is reached, screw by hand the oil dipstick (1).

**Refer to the generic booklet for the type of oil to use.**



**WARNING: The exhaust oil must be collected in receptacles and disposed of at authorised centres as specified by law. It must not be thrown away in the environment.**

## 1 - CHANGEMENT DE L'HUILE

1.1 – Le changement de l'huile doit être exécuté avec la pompe à température d'exercice.

1.2 – Placer un récipient sous le bouchon de vidange de l'huile (3).

1.3 – Enlever le bouchon-jauge (1), puis enlever le bouchon de vidange (3).

1.4 – Attendre que toute l'huile soit sortie, puis revisser le bouchon de vidange (3) avec le couple de torsion qui est indiqué sur le dessin éclaté.

1.5 – Remplir avec de l'huile neuve jusqu'à la ligne médiane du bouchon indicateur du niveau d'huile (2), et revisser le bouchon-jauge (1).

**Pour le type d'huile à utiliser, se référer à ce qui est indiqué sur la notice générale.**



**ATTENTION : L'huile usée doit être recueillie dans des récipients et éliminée dans les centres prévus à cet effet, conformément à la réglementation en vigueur. Il ne faut absolument pas la jeter dans l'environnement.**

## 1 - ÖLWECHSEL

- 1.1 – Beim Ölwechsel muss die Pumpe Betriebstemperatur aufweisen.
- 1.2 – Unter den Ölablassverschluss (3) einen Behälter stellen.
- 1.3 – Den Verschluss mit dem Stab (1) und danach den Ablassverschluss (3) abnehmen.
- 1.4 – Warten, bis das gesamte Öl abgelassen ist und den Ablassverschluss (3) mit dem auf der Übersichtszeichnung angegebenen Drehmoment wieder anschrauben.
- 1.5 – Mit frischem Öl füllen, bis die Mittellinie des Ölstandkontrollverschlusses (2) erreicht ist und den Verschluss mit dem Stab (1) wieder anschrauben.

**Bezüglich der verwendbaren Ölsorten siehe die Angaben im allgemeinen Handbuch.**



**ACHTUNG: Das Altöl muss in Behältern gesammelt und gemäß den geltenden Vorschriften bei den hierfür vorgesehenen Zentren entsorgt werden. Es darf keinesfalls umweltschädigend entsorgt werden.**

---

## 1 - CAMBIO DE ACEITE

- 1.1 – El cambio de aceite se efectúa con bomba a temperatura de trabajo.
- 1.2 – Colocar un recipiente debajo del tapón de descarga de aceite (3).
- 1.3 – Extraer el tapón con varilla (1) y seguidamente el tapón de descarga (3).
- 1.4 – Esperar hasta que haya salido todo el aceite, volver a enroscar el tapón de descarga (3) con el par de torsión indicado en el despiece.
- 1.5 – Llenar con aceite nuevo hasta alcanzar la línea media del tapón indicador de nivel de aceite (2) y volver a enroscar el tapón con varilla (1).

**Para el tipo de aceite que debe utilizarse, remitirse a las indicaciones del manual general.**



**ATENCIÓN: El aceite residual debe recogerse en recipientes y eliminarse en los centros pertinentes de acuerdo con la normativa vigente. En ningún caso debe dispersarse en el ambiente.**

---

## 1 - TROCA DE ÓLEO

- 1.1 – A troca de óleo deve ser feita com a bomba na temperatura de trabalho.
- 1.2 – Posicionar um recipiente embaixo da tampa de descarga de óleo (3).
- 1.3 – Remover a tampa com o pino (1) e, em seguida, a tampa de descarga (3).
- 1.4 – Esperar que todo o óleo saia, recolocar a tampa de descarga (3) com o binário de torção indicado no desenho explodido.
- 1.5 – Encher com o óleo novo até chegar na linha da tampa de controle do nível do óleo (2) e recolocar a tampa com o pino (1).

**Para o tipo de óleo a ser utilizado, consultar as indicações do livro genérico.**



**ATENÇÃO: O óleo consumido deve ser coletado em recipientes e eliminado nos locais adequados, de acordo com a normativa vigente. Não deve, de modo algum, ser jogado no ambiente.**

**Dichiarazione di incorporazione  
(Ai sensi dell'allegato II della Direttiva Europea 2006/42/CE).**

Il produttore **INTERPUMP GROUP S.p.A.** – Via E. Fermi, 25 – 42049 S.ILARIO D'ENZA (RE) - Italia

**DICHIARA** che il prodotto identificato e descritto come segue:

Denominazione: Pompa

Tipo: Pompa alternativa a pistoni per acqua ad alta pressione

Marchio di fabbrica: INTERPUMP GROUP

Modello: W150 – W150HH – W170 – W112 – W140 – W140HH

W97 – W124 – W154 – W154HH – W950 – W951 – W952 – W953 – W954 – W955 – W956 – W957 – W958

W959 – W200 – W204 – W14200 – W16180 – WW186 – WW206 – WW116 – WW156 – WW209 – WW189

WW136 – WW176 – WW963 – WW964 – WW960 – WW961 – WW965 – WW962

Risulta essere conforme ai requisiti delle sotto elencate direttive e successivi aggiornamenti:

- Direttiva Macchine 2006/42/CE
- Direttiva sulla restrizione dell'uso di determinate sostanze pericolose 2002/95/CE - RoHS
- Direttiva sulla responsabilità del produttore 85/374/CE
- UNI EN ISO 12100.1:2005 - UNI EN ISO 12100.2:2005 - UNI EN 809:2000

La pompa sopra identificata rispetta tutti i requisiti essenziali di sicurezza e di tutela della salute elencati nel punto 1 dell'allegato I della Direttiva Macchine e la relativa documentazione tecnica è stata compilata in conformità dell'allegato VII B.

Inoltre il produttore si impegna a rendere disponibile, a seguito di una richiesta adeguatamente motivata, copia della documentazione tecnica pertinente la pompa nei modi e nei termini da definire.


La pompa non deve essere messa in servizio finché l'impianto al quale la pompa deve essere incorporata è stato dichiarato conforme alle disposizioni delle relative direttive e/o norme.

Persona autorizzata a costituire il fascicolo tecnico Nome: Maurizio Novelli.

Indirizzo: INTERPUMP GROUP S.p.A. – Via E. Fermi, 25 – 42049 S. ILARIO D'ENZA (RE) – Italia

Persona autorizzata a redigere la dichiarazione: L'amministratore delegato Ing. Paolo Marinsek

Reggio Emilia 12/2009

Firma 

**Declaration of incorporation  
(According to annex II of European Directive 2006/42/CE).**

The manufacturer **INTERPUMP GROUP S.p.A.** – Via E. Fermi, 25 – 42049 S.ILARIO D'ENZA (RE) - Italy

**DECLARE** that the device identified and described as follows:

Description: Pump

Type: High pressure reciprocating pump for water

Trademark: INTERPUMP GROUP

Model: W150 – W150HH – W170 – W112 – W140 – W140HH

W97 – W124 – W154 – W154HH – W950 – W951 – W952 – W953 – W954 – W955 – W956 – W957 – W958

W959 – W200 – W204 – W14200 – W16180 – WW186 – WW206 – WW116 – WW156 – WW209 – WW189

WW136 – WW176 – WW963 – WW964 – WW960 – WW961 – WW965 – WW962

Complies with the requirements of the below-listed directives and following updates:

- Directive 2006/42/EC Machinery
- Directive 2002/95/EC Reduction of hazardous substances – RoHS
- Directive 85/374/EC Liability for defective products
- UNI EN ISO 12100.1:2005 - UNI EN ISO 12100.2:2005 - UNI EN 809:2000

The above-mentioned pump complies with all the essential requirements of safety and health protection listed in annex I, point 1 of the Machinery Directive and the relevant technical documents are compiled in accordance with annex VII B.

Moreover, in response to a reasoned request, the manufacturer undertake to transmit copy of the technical documents on the pump within the terms and in the ways to be determined.

The pump must not be put into service until the system into which the pump is to be incorporated has been declared in conformity with the provisions of the relevant directives and/or norms.

Person authorized to compile the technical documents Name: Maurizio Novelli.

Address: INTERPUMP GROUP S.p.A. – Via E. Fermi, 25 – 42049 S. ILARIO D'ENZA (RE) – Italy

Person empowered to draw up the declaration: Ing. Paolo Marinsek (Managing Director)

Reggio Emilia 12/2009

Signature 

## Déclaration d'incorporation

(Aux termes de la pièce annexe II de la Directive Européenne 2006/42/CE).

Le fabricant **INTERPUMP GROUP S.p.A.** – Via E. Fermi, 25 – 42049 S.ILARIO D'ENZA (RE) - Italie

**DÉCLARE** que le dispositif identifié et décrit ci-après:

Description: Pompe

Type: Pompe à pistons alternatif pour l'eau haute pression

Marque de fabrique: INTERPUMP GROUP

Modèle: W150 – W150HH – W170 – W112 – W140 – W140HH

W97 – W124 – W154 – W154HH – W950 – W951 – W952 – W953 – W954 – W955 – W956 – W957 – W958

W959 – W200 – W204 – W14200 – W16180 – WW186 – WW206 – WW116 – WW156 – WW209 – WW189

WW136 – WW176 – WW963 – WW964 – WW960 – WW961 – WW965 – WW962

Est conforme aux normes des directives indiquées ci-après et aux suppléments successifs:

- Directive 2006/42/CE relative aux machines

- Directive 2002/95/CE – RoHS relative à la limitation de l'utilisation de certaines substances dangereuses

- Directive 85/374/CE en matière de responsabilité du fait des produits défectueux

UNI EN ISO 12100.1:2005 - UNI EN ISO 12100.2:2005 - UNI EN 809:2000

La pompe identifiée ci-dessus est conforme à toutes les normes fondamentales de sécurité et de sauvegarde de la santé indiquées au point 1 de la pièce annexe I de la Directive relative aux machines et la documentation technique relative a été dressée conformément à la pièce annexe VII B.

De plus, le fabricant s'engage à fournir, à la suite d'une demande dûment motivée, copie de la documentation technique concernant la soupape selon les modalités et dans un délai à définir.

La pompe ne doit pas être utilisée jusqu'à ce que l'installation à laquelle la pompe doit être incorporée à été déclarée conforme aux dispositions des directives et/ou normes relatives.

Personne autorisée à préparer le dossier technique

Nom: Maurizio Novelli.

Adresse: INTERPUMP GROUP S.p.A. – Via E. Fermi, 25 – 42049 S. ILARIO D'ENZA (RE) – Italie

Personne autorisée à rédiger la déclaration:

Ing. Paolo Marinsek (Administrateur Délégué)

Reggio Emilia 12/2009

Signature



## Einbauerklärung

(gemäß Anhang II der Richtlinie 2006/42/EG).

Der Hersteller **INTERPUMP GROUP S.p.A.** – Via E. Fermi, 25 – 42049 S.ILARIO D'ENZA (RE) - Italien

**ERKLÄRT HIERMIT**, dass die im Folgenden identifizierte und beschriebene Ausrüstung:

Bezeichnung: Pumpe

Type: Kolbenpumpe für Hochdruck-Wasser

Marke: INTERPUMP GROUP

Modell: W150 – W150HH – W170 – W112 – W140 – W140HH

W97 – W124 – W154 – W154HH – W950 – W951 – W952 – W953 – W954 – W955 – W956 – W957 – W958

W959 – W200 – W204 – W14200 – W16180 – WW186 – WW206 – WW116 – WW156 – WW209 – WW189

WW136 – WW176 – WW963 – WW964 – WW960 – WW961 – WW965 – WW962

den Anforderungen der unten angeführten Richtlinien und nachfolgenden Ergänzungen voll entspricht:

- Maschinenrichtlinie 2006/42/EG

- Richtlinie zur Beschränkung der Verwendung bestimmter gefährlicher Stoffe 2002/95/EG - RoHS

- Richtlinie über die Haftung des Herstellers 85/374/EG

UNI EN ISO 12100.1:2005 - UNI EN ISO 12100.2:2005 - UNI EN 809:2000

Die oben angeführte Pumpe erfüllt alle wesentlichen Anforderungen zur Sicherheit und den

Gesundheitsschutz, die unter Punkt I des Anhangs I der Maschinenrichtlinie aufgelistet sind; die

entsprechenden technischen Unterlagen wurden gemäß Anhang VII B ausgestellt.

Der Hersteller verpflichtet sich zudem, auf eine entsprechend begründete Anfrage eine Abschrift der technischen Unterlagen über das Pumpe auf eine noch festzulegende Art und Weise zur Verfügung zu stellen.

Die Pumpe darf nicht in Betrieb genommen werden, solange keine Konformitätserklärung für die Anlage, in die es eingebaut werden soll, entsprechend den Bestimmungen der Richtlinien und/oder Normen vorliegt.

Zur Zusammenstellung der technischen Unterlagen ermächtigte Person

Name: Maurizio Novelli.

Adresse: INTERPUMP GROUP S.p.A. – Via E. Fermi, 25 – 42049 S. ILARIO D'ENZA (RE) – Italien

Zur Erstellung der Erklärung ermächtigte Person:

Geschäftsführer Ing. Paolo Marinsek

Reggio Emilia 12/2009

Unterschrift





## Declaración de incorporación

(Con fundamento en el anexo II de la Directiva Europea 2006/42/CE).

**INTERPUMP GROUP S.p.A.** – Via E. Fermi, 25 – 42049 S.ILARIO D'ENZA (RE) – Italia, en su calidad de fabricante, **DECLARA** que el producto que se identifica y describe a continuación :

Denominación: Bomba

Tipo: Bomba alternativa de pistones para agua de alta presión

Marca de fábrica: INTERPUMP GROUP

Modelo: W150 – W150HH – W170 – W112 – W140 – W140HH

W97 – W124 – W154 – W154HH – W950 – W951 – W952 – W953 – W954 – W956 – W957 – W958

W959 – W200 – W204 – W14200 – W16180 – WW186 – WW206 – WW116 – WW156 – WW209 – WW189

WW136 – WW176 – WW963 – WW964 – WW960 – WW961 – WW965 – WW962

Cumple con los requisitos establecidos por las Directivas que seguidamente se mencionan, así como en sus posteriores modificaciones:

- Directiva Máquinas 2006/42/CE

- Directiva 2002/95/CE relacionada con la restricción del uso de determinadas sustancias peligrosas

- Directiva 85/374/CE

UNI EN ISO 12100.1:2005 - UNI EN ISO 12100.2:2005 - UNI EN 809:2000

Esta bomba está conforme con todos los requisitos esenciales de seguridad y de protección de la salud prevista en el punto 1 del anexo I de la Directiva Máquinas, además, la respectiva documentación técnica ha sido elaborada de acuerdo con el anexo VIIB.

Además, el fabricante se compromete a poner a disposición de quien lo solicite en forma idónea y motivada, de una copia de la documentación técnica de la respectiva bomba, en la forma y dentro de los términos que se convengan.

La bomba no debe ponerse en funcionamiento hasta que la instalación a la cual se deba conectar sea declarada conforme con las disposiciones exigidas por las directivas y/o normas respectivas.

Persona autorizada a formar el expediente técnico: Nombre: Maurizio Novelli.

Dirección: INTERPUMP GROUP S.p.A. – Via E. Fermi, 25 – 42049 S. ILARIO D'ENZA (RE) – Italia

Persona autorizada a rendir la declaración: Ing. Paolo Marinsek (Director Adjunto)

Reggio Emilia 12/2009

Firma 

## Declaração de incorporação

(Em conformidade com o anexo II da Directiva Europeia 2006/42/CE).

O fabricante **INTERPUMP GROUP S.p.A.** – Via E. Fermi, 25 – 42049 S.ILARIO D'ENZA (RE) - Itália

**DECLARA** que o produto identificado e descrito como se segue:

Denominação: Bomba

Tipo: Bomba alternativa com pistão para água de alta pressão

Marca comercial: INTERPUMP GROUP

Modelo: W150 – W150HH – W170 – W112 – W140 – W140HH

W97 – W124 – W154 – W154HH – W950 – W951 – W952 – W953 – W954 – W955 – W956 – W957 – W958

W959 – W200 – W204 – W14200 – W16180 – WW186 – WW206 – WW116 – WW156 – WW209 – WW189

WW136 – WW176 – WW963 – WW964 – WW960 – WW961 – WW965 – WW962

Está em conformidade com os requisitos das directivas abaixo elencadas e sucessivas actualizações:

- Directiva de Máquinas 2006/42/CE

- Directiva sobre a restrição do uso de determinadas substâncias perigosas 2002/95/CE

- Directiva sobre a responsabilidade do fabricante 85/374/CE

UNI EN ISO 12100.1:2005 - UNI EN ISO 12100.2:2005 - UNI EN 809:2000

A bomba acima identificada respeita todos os requisitos essenciais de segurança e de tutela da saúde elencados no ponto 1 do anexo I da Directiva de Máquinas e a relativa documentação técnica foi preenchida em conformidade com o anexo VII B.

Além disso o fabricante responsabiliza-se a disponibilizar, de seguida a um pedido adequadamente motivado, uma cópia da documentação técnica referente à bomba nos modos e nos termos a definir.

A bomba não deve ser colocada em funcionamento até que a instalação na qual a bomba deve ser incorporada for declarada em conformidade com as disposições das relativas directivas e/ou normas.

Pessoa autorizada a constituir o fascículo técnico Nome: Maurizio Novelli.

Morada: INTERPUMP GROUP S.p.A. – Via E. Fermi, 25 – 42049 S. ILARIO D'ENZA (RE) – Itália

Pessoa autorizada para redigir a declaração: O administrador delegado Eng. Paolo Marinsek

Reggio Emilia 12/2009

Assinatura 





**COPYRIGHT** Il contenuto di questo libretto è di proprietà di INTERPUMP GROUP, ne è vietata la riproduzione e/o la divulgazione, anche parziale, a termini di legge.

**COPYRIGHT** The contents of this booklet are the property of INTERPUMP GROUP. Reproduction and divulgation, in whole or in part, are prohibited by law.

**COPYRIGHT** Le contenu de cette notice appartient à INTERPUMP GROUP : aux termes de la loi il est interdit de le reproduire et/ou de le divulguer, même partiellement.

**COPYRIGHT** Der Inhalt dieser Bedienungsanleitung ist Eigentum von INTERPUMP GROUP. Die auch nur teilweise Reproduktion und/oder Verbreitung ist gesetzlich verboten.

**COPYRIGHT** El contenido del presente manual es propiedad de INTERPUMP GROUP y está legalmente prohibida su reproducción y/o divulgación parcial o total.

**COPYRIGHT** O conteúdo deste livro é de propriedade da INTERPUMP GROUP, e é proibida a sua reprodução e/ou a sua divulgação, mesmo parcial, nos termos da lei.

---

**Le informazioni presenti su questo documento possono essere variate senza preavviso.**

**The information contained in this document may change without notice.**

**Les informations présentes sur ce document peuvent être changées sans besoin de préavis.**

**Die in diesem Dokument enthaltenen Informationen können ohne Vorankündigung geändert werden.**

**La información contenida en el presente documento puede modificarse sin previo aviso.**

**As informações contidas neste documento poderão ser sujeitas a alterações sem aviso prévio.**

---



**INTERPUMP GROUP**  
**S.p.A**

VIA FERMI, 25 42049 S.ILARIO – REGGIO EMILIA (ITALY)  
TEL. +39 – 0522 - 904311 TELEFAX +39 – 0522 – 904444  
E-mail: [info@interpumpgroup.it](mailto:info@interpumpgroup.it) - <http://www.interpumpgroup.it>