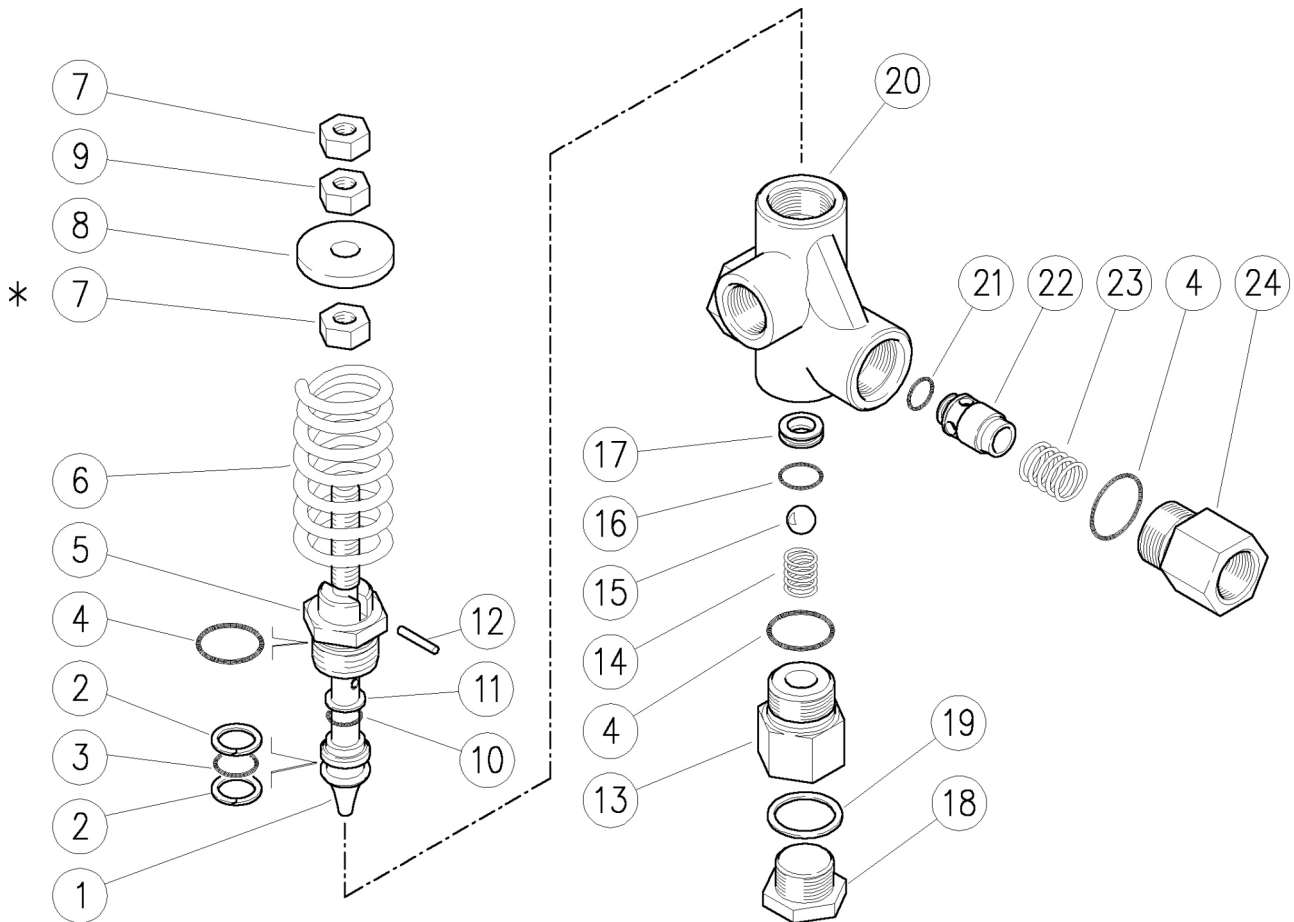


60.0430.00 VB80/400 unload. 1/2F Bsp Ai303
 60.0430.15 VB80/150 unload. 1/2F Bsp Ai303
 60.0430.40 VB80/280 unload. 1/2F Bsp Ai303
 60.0430.50 VB80/400 unload. 1/2F Npt Ai303
 60.0448.15 VB80/150 unl. 1/2Bsp Aisi 303 white spring -

60.0448.28 VB80/280 unl. 1/2Bsp Aisi 303 blue spring -
 60.0455.15 VB80/150 unload. 1/2F Bsp Ai303 +vit.O-R
 60.0455.60 VB80/280 unload. 1/2F Bsp Ai303 +vit.O-R
 60.0455.80 VB80/400 unload. 1/2F Bsp Ai303 +vit.O-R



| Pos. | P/N | Description | Q.ty | K1 | K2 | K3 | K4 |
|------|------------|-------------------------------------|------|----|----|----|----|
| 1 | 60.0432.51 | Piston, M10 Sst. (1,2,3) | 1 | | | | |
| 1 | 60.0407.51 | Piston, M10 Sst. | 1 | | | | |
| 2 | 10.4014.00 | Back-up ring, oprn. 18x13,5x1,2 mm | 2 | • | • | | |
| 3 | 10.3178.01 | O-ring, 2,62x13,1 mm Ni 85 | 1 | • | • | | |
| 3 | 10.3178.10 | O-ring, 2,62x13,1 mm Vi 70 (4,5,3) | 1 | | | • | • |
| 4 | 10.3072.01 | O-ring, 1,78x20,35 mm Ni 85 | 3 | • | • | | |
| 4 | 10.3072.10 | O-ring, 1,78x20,35 mm Vi 70 (4,5,3) | 3 | | | • | • |
| 5 | 60.0433.51 | Stem holder, Sst. | 1 | | | | |
| 6 | 60.0434.61 | Spring, 8,5x38x80 mm black (1,2,3) | 1 | | | | |
| 6 | 60.0412.61 | Spring, 7,5x35x70 mm blue (6,7,5) | 1 | | | | |
| 6 | 60.0411.61 | Spring, 6,5x33x70 mm white (8,9,4) | 1 | | | | |
| 7 | 11.4629.00 | Hex. nut, M10 (1,2) | 2 | | | | |
| 7 | 11.4627.50 | Hex. nut, M10, Sst. (8,6,9,7) | 3 | | | | |
| 8 | 60.0406.31 | Spring holding washer, brass | 1 | | | | |
| 9 | 11.4630.00 | Hex. nut, M10 (1,2) | 1 | | | | |
| 10 | 10.3174.01 | O-ring, 2,62x9,93 mm Ni 85 | 1 | • | • | | |
| 10 | 10.3174.10 | O-ring, 2,62x9,93 mm Vi 70 (4,5,3) | 1 | | | • | • |
| 11 | 10.4015.00 | Back-up ring, 10x14,5x1,2 mm | 1 | • | • | | |
| 12 | 15.1032.00 | Roll pin, 3x18 mm Sst. | 1 | | | | |

| Pos. | P/N | Description | Q.ty | K1 | K2 | K3 | K4 |
|------|------------|-------------------------------------|------|----|----|----|----|
| 13 | 60.0405.51 | Suction coupl., 1/2F Bsp Sst. | 1 | | | | |
| 13 | 60.0438.51 | Suction coupl., 1/2"Npt Sst. (2) | 1 | | | | |
| 14 | 60.0410.51 | Spring, 1,6x11,5x20 mm Sst. | 1 | | | | |
| 15 | 14.7461.00 | Ball, 13/32" Sst. | 1 | • | • | • | |
| 16 | 10.3060.01 | O-ring, 1,78x12,42 mm Ni 85 | 1 | • | • | | |
| 16 | 10.3060.10 | O-ring, 1,78x12,42 mm Vi 70 (4,5,3) | 1 | | | • | • |
| 17 | 60.0408.51 | Seat, 8,5x15,9x4,5 mm Sst. | 1 | • | • | • | |
| 18 | 60.0413.51 | Plug, sst. 1/2 Bsp, hex.27 | 1 | | | | |
| 18 | 60.0444.51 | Grub screw, sst. 1/2 Npt (2) | 1 | | | | |
| 19 | 14.4101.00 | Sealing washer, 1/2 Bsp | 1 | | | | |
| 20 | 60.0431.55 | Housing -VB80, 1/2F Bsp Sst. | 1 | | | | |
| 20 | 60.0436.55 | Housing -VB80, 1/2F Npt Sst. (2) | 1 | | | | |
| 21 | 10.3292.00 | O-ring, 4x8 mm | 1 | • | • | | |
| 21 | 10.3292.10 | O-ring, 4x8 mm Vi 70 (4,5,3) | 1 | | | • | • |
| 22 | 60.0403.51 | Shutter pin, Sst. | 1 | | | | |
| 23 | 60.0409.51 | Spring, 0,8x15,4x13 mm Sst. | 1 | | | | |
| 24 | 60.0402.51 | Shutter coupl., 1/2F Bsp Sst. | 1 | | | | |
| 24 | 60.0437.51 | Delivery coupl., 1/2"Npt Sst. (2) | 1 | | | | |

| Kit | P/N | Description | Q.ty |
|-----|------------|-------------------------------------|------|
| K1 | 60.0451.24 | Spares kit -VB80/400, Sst. 9x1pcs. | 1 |
| K2 | 60.0435.24 | Spares kit -VB80/400, Sst. 9x5pcs. | 1 |
| K3 | 60.0446.24 | Seals kit -VB80+O-ring, FKM 7x1pcs. | 1 |
| K4 | 60.0452.24 | KIT O-Rings -VB80 Viton, 9x5 pcs | 1 |

(1) 60.0430.00 (2) 60.0430.50 (3) 60.0455.80 (4) 60.0455.15 (5) 60.0455.60 (6) 60.0430.40 (7) 60.0448.28 (8) 60.0430.15 (9) 60.0448.15