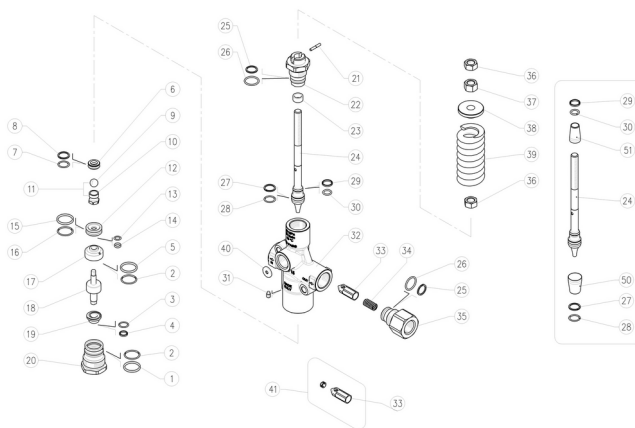


60.2600.00 VB60/600 Zero Unload.-flow activated 1/2Bsp
60.2600.25 VB60/250 Zero Unload.-flow activated 1/2Bsp

60.2600.40 VB60/400 Zero Unload.-flow activated 1/2Bsp



Pos.	P/N	Description	Q.ty	K1	K2	K3	K4	
1	10.4098.00R	Back-up ring, 23,2x26x1,2mm	1	•				10
2	10.3072.60R	O-ring, 1,78x21,95 mm Ni 85	2	•				10
3	10.3058.01R	O-ring, 1,78x10,82 mm	1	•				10
4	10.4055.00R	Back-up ring, 9,2x11,2x2 mm	1	•				10
5	10.4059.00R	Back-up ring, 20x22x2 mm	1	•				10
6	60.2615.51R	Sst seat, 8,5 mm	1	•				5
7	10.3060.01R	O-ring, 1,78x12,42 mm Ni 85	1	•				10
8	10.4013.00R	Back-up ring, 16x13,2x1,2 mm	1	•				10
11	60.2616.21R	Shutter pin, M6 sst+ball, 13/32"	1	•				5
12	60.2606.51R	7 mm sst piston ring	1					3
13	10.3056.00R	O-ring, 1,78x8,74 mm	1	•				10
14	10.4007.60R	Back-up ring, 7x9,7x2,2 mm	1	•				10
15	10.4041.00R	Back-up ring, 19,3x22x1,2 mm PTFE	1	•				10
16	10.3070.02R	O-ring, 1,78x18,77 mm Ni 85	1	•				10
17	60.2609.51R	Spacer ring 7 mm	1					3
18	60.2607.51R	Sst pin	1					5
19	60.2610.51R	9,2 mm sst piston ring	1					3
20	60.2604.51R	Lower plug, sst	1					3
21	60.2611.51R	Pin, 3,1x18 mm Sst.	1					5
22	60.2603.51R	Piston holder, sst	1					5
23	26.1046.84R	Bushing, 10x14x7 mm Plast.	1	•				10
24	60.2602.51R	Sst. valve piston	1					5
25	10.4099.00R	Back-up ring, 17,2x20x1,2mm	2	•				10
26	10.3068.01R	O-ring, 1,78x17,17 mm Ni 85	2	•				10

Pos.	P/N	Description	Q.ty	K1	K2	K3	K4	
27	10.4161.00R	Back-up ring, 18 mm	1	•				3
28	10.3060.00R	O-ring, 1,78x12,42 mm	1	•				10
29	10.4162.00R	Back-up ring, 14,2 mm	1	•				3
30	10.3057.00R	O-ring, 1,78x9,25 mm	1	•				10
31	16.2203.00R	Set screw, DIN915 M6x10 mm Sst.	1					10
32	60.2605.55R	Housing -VB60/600 Zero, 1/2 .Bsp F sst	1					3
33	60.2608.51R	Sst shutter	1					5
34	60.2617.51R	Sst spring, 1,3x8,5x24 mm (1,2)	1					5
34	60.2601.51R	Sst spring, 1,3x8,5x28,5 mm (3)	1					10
35	60.2612.51R	Shutter coupl., 1/2F Bsp sst	1					3
36	11.4629.00R	Hex. nut, M10	2					10
37	11.4630.00R	Hex. nut, M10	1					10
38	60.2614.51R	Spring holding washer, sst (3)	1					5
38	60.2619.51R	Spring holding washer, sst	1					3
39	60.0434.61R	Spring, 8,5x38x80 mm black (3)	1					3
39	60.0411.61R	Spring, 6,5x33x70 mm white (1)	1					3
39	60.0412.61R	Spring, 7,5x35x70 mm blue (2)	1					10
40	60.2629.31R	Nozzle, 2,5 mm brass **	1					10
40	60.2623.31R	Nozzle, 3,0 mm brass **	1					10
40	60.2624.31R	Nozzle, 4,5 mm brass x1/2 Bsp **	1					10
41	60.2622.24	Spare kit seat/check valv.pcs.2x1 **	1					1
50	10.4407.00R	Seal frame >VB60-80 zero **	1					1
51	10.4408.00R	Seal frame >VB60-80 zero **	1					1

** On request

Kit	P/N	Description	
K1	60.2618.24	Spares kit -VB60/600.Zero, 20x1pcs.	1

(1) 60.2600.25 (2) 60.2600.40 (3) 60.2600.00