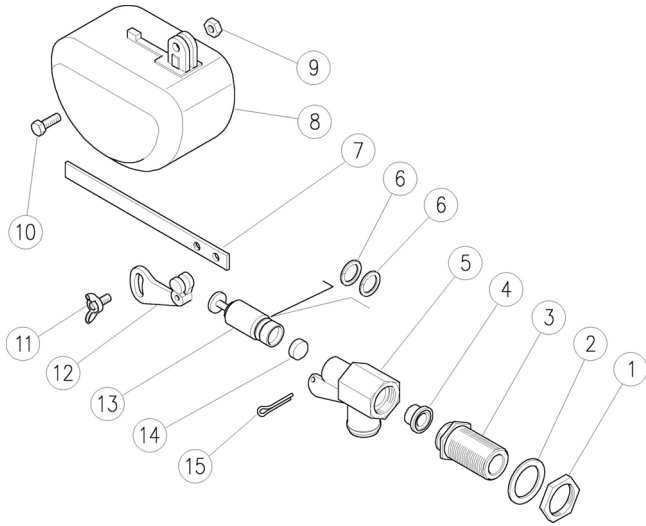


29.0280.00 RG60 Float valve,brass,1/2M Bsp



29.0280.20 RG60 Float valve, brass 3/4M Bsp

| Pos. | P/N | Description | Q.ty | K1 | K2 | K3 | K4 | |
|------|-------------|-------------------------------------|------|----|----|----|----|----|
| 1 | 29.0175.31R | Nut, 1/2F Bsp brass (1) | 1 | | | | | 10 |
| 1 | 29.0188.31R | Nut, 3/4F Bsp brass (2) | 1 | | | | | 10 |
| 2 | 29.0177.81R | Front seal, 19x30x2 mm black (1) | 1 | | | | | 10 |
| 2 | 29.0189.81R | Front seal, 26x36x2 mm NBR (2) | 1 | | | | | 10 |
| 3 | 29.0283.31R | Coupling, M18x1M-1/2M Bsp brass (1) | 1 | | | | | 10 |
| 3 | 29.0284.31R | Coupling, M18x1M-3/4M Bsp brass (2) | 1 | | | | | 3 |
| 4 | 29.0282.84R | Seat -RG60, POM | 1 | | | | | 10 |
| 5 | 29.0281.35R | Housing -RG60 brass | 1 | | | | | 3 |
| 6 | 10.4021.00R | Back-up ring, opn. 11,5x15,9x1,2 mm | 2 | | | | | 10 |
| 7 | 29.0287.34R | Rod -RG60, brass | 1 | | | | | 5 |
| 8 | 29.0170.84R | Float valve, PE-HD | 1 | | | | | 10 |
| 9 | 11.4520.00R | Hex. nut, M 5, brass | 1 | | | | | 10 |
| 10 | 16.1870.00R | Screw, DIN933 M5x12 mm brass | 1 | | | | | 10 |
| 11 | 12.0150.05R | Wing nut, M5x10 brass | 1 | | | | | 10 |
| 12 | 29.0286.35R | Transmission plate, brass | 1 | | | | | 3 |
| 13 | 29.0288.31R | Shutter pin, brass | 1 | | | | | 10 |
| 14 | 29.0285.81R | Front seal, 12x4 mm NBR85 | 1 | | | | | 10 |
| 15 | 11.0549.01R | Cotter pin 3x20 mm | 1 | | | | | 10 |

(1) 29.0280.00 (2) 29.0280.20