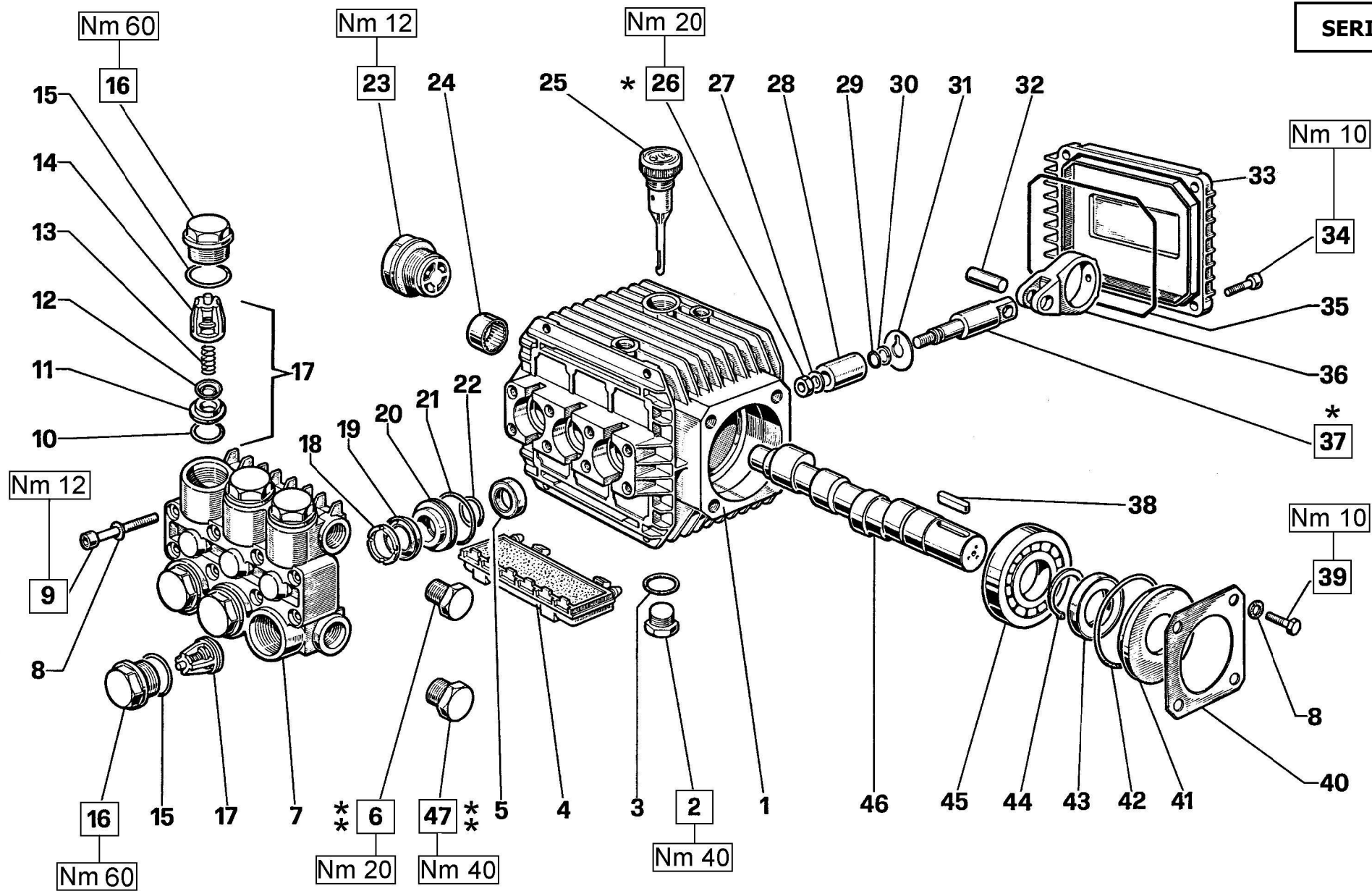


SERIE 51



* Fissare con Loctite 270 col. VERDE
 * Affix with Loctite 270 col. GREEN
 * Fixer avec de la Loctite 270 couleur VERT
 * Mit Loctite 270 GRÜN befestigen
 * Fijar con Loctite 270 col. VERDE
 * Fixar com Loctite 270 cor. VERDE

** Fissare con Loctite 542 col. ROSSO
 ** Affix with Loctite 542 col. RED
 ** Fixer avec de la Loctite 542 couleur ROUGE
 ** Mit Loctite 542 ROT befestigen
 ** Fijar con Loctite 542 col. ROJO
 ** Fixar com Loctite 542 cor. VERMELHA

3



WW55 – WW56 – WW74 – WW75
WW90 – WW93 – WW94 – WW95
TT551 – TT561 – TT741 – TT751
TT901 – TT931 – TT941 – TT951

KIT RICAMBI – SPARE KITS

PISTONE - PISTON Ø15

| KIT Nr. | KIT 1 | KIT 83 | KIT 84 | KIT 86 | KIT 96 | KIT 97 |
|---|----------------------------------|--------|---------|---------------|--------------------------|--------------------|
| Posizioni incluse Positions included | 10 – 11 12 – 13 14 (17) | 5 | 15 - 16 | 20 - 21 22 | 18 – 19 20 – 21 22 | 18 – 19 21 - 22 |
| Nr. Pcs. | 6 | 3 | 6 | 3 | 1 | 3 |

| POS | COD. | DESCRIZIONE – DESCRIPTION - KIT | NR |
|-----|--------------------------|---------------------------------------|------------|
| 1 | 51.0106.22 | Carter pompa | 1 |
| 2 | 98.2100.50 | Tappo G 3/8"x13 TE22 Zinc. | 1 |
| 3 | 90.3833.00 | OR Ø 13.95x2.62 (3056) | 2 |
| 4 | 51.2090.51 | Protezione | 1 |
| 5 | 90.1565.00 | Anello rad. Ø 15x24x5 | 83 3 |
| 6 | 98.2041.00 | Tappo G 1/4"x9 | 2 |
| 7 | 51.1200.41 51.1200.22 | Testata Ø 15 Testata Ø 15 - NICKEL | 1 |
| 8 | 96.6938.00 | Rondella Ø 6.4x10x0.7 | 8 |
| 9 | 99.1943.00 | Vite M6x40 UNI 5931 | 8 |
| 10 | 90.3841.00 | OR Ø 17.13x2.62 (3068) | 1 6 |
| 11 | 36.2003.66 | Sede valvola | 1 6 |
| 12 | 36.2001.76 | Valvola sferica | 1 6 |
| 13 | 94.7376.00 | Molla Ø 9.4x14.8 | 1 6 |
| 14 | 36.2002.51 | Guida valvola123 | 1 6 |
| 15 | 90.3847.00 | OR Ø 20.24x2.62 (3081) | 84 6 |
| 16 | 98.2218.00 | Tappo M24x1.5x11 | 84 6 |
| 17 | 36.7032.01 | Gruppo valvola aspiraz. / mand. | 1 6 |
| 18 | 51.1000.51 | Anello di testa Ø 15 | 96-97 3 |
| 19 | 90.2620.00 | Anello ten. alt. Ø 15x25x5/3.1 | 96-97 3 |
| 20 | 51.0800.70 | Anello di fondo Ø 15 | 86-96 3 |
| 21 | 90.3604.00 | OR Ø 25.12x1.78 (2100) | 86-96-97 3 |

| POS | COD. | DESCRIZIONE – DESCRIPTION - KIT | NR |
|-----|------------|---------------------------------|------------|
| 22 | 90.3835.00 | OR Ø 15.08x2.62 (119) | 86-96-97 3 |
| 23 | 97.5968.00 | Spia livello olio | 1 |
| 24 | 91.8014.00 | Boccola a rullini | 1 |
| 25 | 98.2103.00 | Tappo carico olio | 1 |
| 26 | 92.2216.00 | Dado M8x13x5 – INOX | 3 |
| 27 | 44.2115.70 | Rosetta Ø 8 con collare | 3 |
| 28 | 51.0400.09 | Pistone Ø 15x25 | 3 |
| 29 | 90.3573.00 | OR Ø 5.28x1.78 (2021) | 3 |
| 30 | 90.5022.00 | Anello antiest. Ø 6.2x9x1.5 | 3 |
| 31 | 96.7070.00 | Rosetta Ø 9x23x0.5 | 3 |
| 32 | 97.7310.00 | Spinotto Ø 8x24.5 | 3 |
| 33 | 51.1600.22 | Coperchio posteriore | 1 |
| 34 | 99.1867.00 | Vite M6x18 UNI 5931 | 4 |
| 35 | 90.3917.00 | OR Ø 88.57x2.62 (3350) | 1 |
| 36 | 51.0300.22 | Biella | 3 |
| 37 | 51.0500.56 | Guida pistone | 3 |
| 38 | 91.4877.00 | Linguetta 8x7x25 UNI 6604 | 1 |
| 39 | 99.1807.00 | Vite M6x10 UNI 5937 | 4 |
| 40 | 50.1500.74 | Coperchio carter | 1 |
| 41 | 50.2115.51 | Distanziale | 1 |
| 42 | 90.4097.00 | OR Ø 55.56x3.53 (159) | 1 |
| 43 | 90.1634.00 | Anello rad. Ø 25x42x7 | 1 |

| POS | COD. | DESCRIZIONE – DESCRIPTION - KIT | NR |
|-----|--|--|----|
| 44 | 90.0635.00 | Anello seeger Ø 25 | 1 |
| 45 | 91.8328.00 | Cuscinetto a sfere 6305 | 1 |
| 46 | 51.0217.65 51.0204.65 51.0200.65 51.0201.65 | Albero C.7.2 - WW95 TT951 Albero C.9.4 - WW94 TT941 Albero C.6 - WW55 WW74 WW90 TT551 TT741 TT901 Albero C.8 - WW56 WW75 WW93 TT561 TT751 TT931 | 1 |
| 47 | 98.2100.00 | Tappo G 3/8"x13 | 1 |