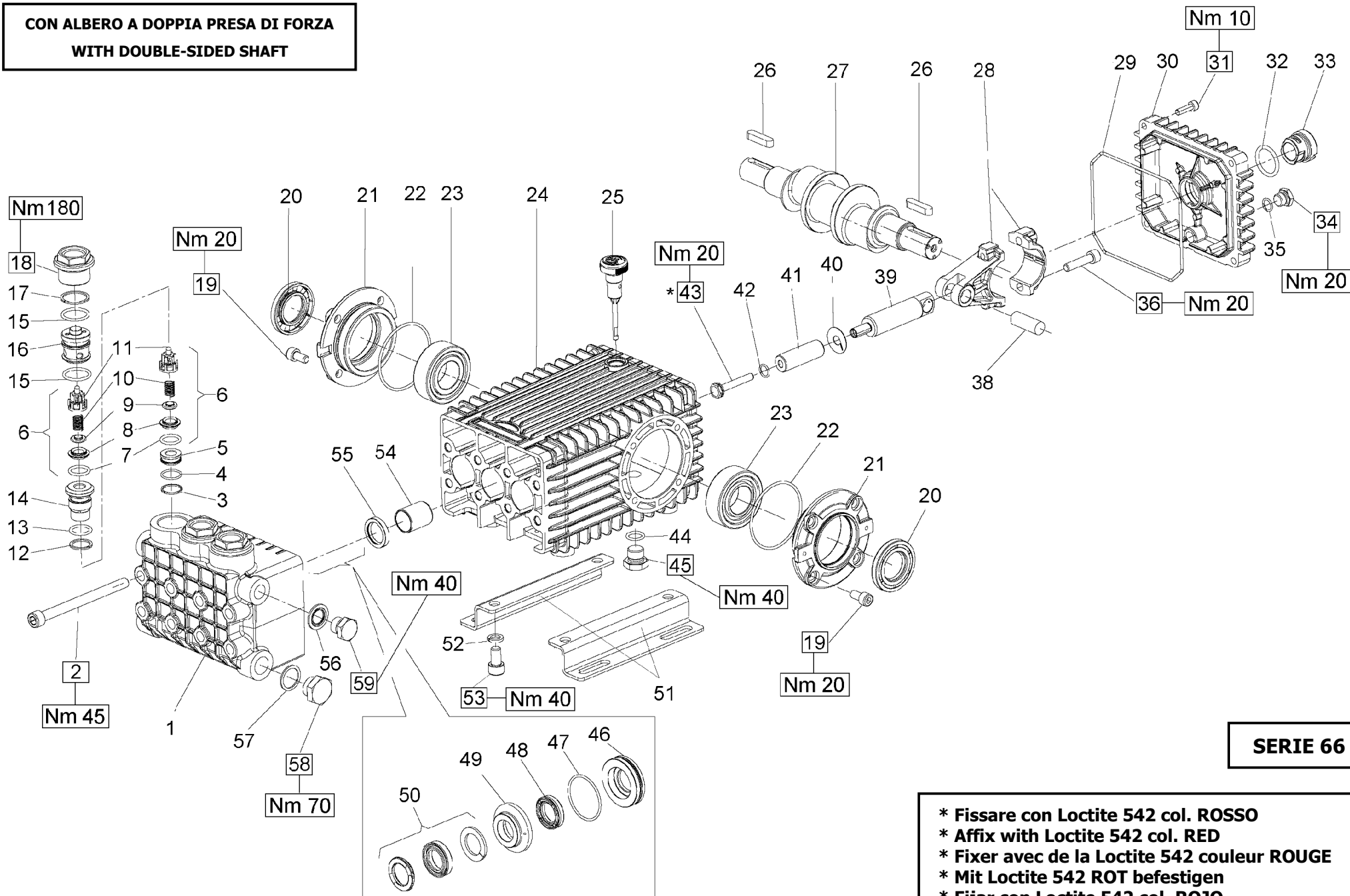


**CON ALBERO A DOPPIA PRESA DI FORZA
WITH DOUBLE-SIDED SHAFT**



SERIE 66

* Fissare con Loctite 542 col. ROSSO
 * Affix with Loctite 542 col. RED
 * Fixer avec de la Loctite 542 couleur ROUGE
 * Mit Loctite 542 ROT befestigen
 * Fijar con Loctite 542 col. ROJO
 * Fixar com Loctite 542 cor. VERMELHA



W5015 – W4015 W3521 - T4018- T5018

PISTONE - PISTON Ø 16

PISTONE - PISTON Ø 18

**W5015 – W4015
T4018 – T5018**

W3521

POS	COD.	DESCRIZIONE – DESCRIPTION - KIT	NR
1	66.1210.41	Testata Ø 16	1
	66.1211.41	Testata Ø 18	1
	66.1240.41	Testata Ø 16 – W5015 – W4518	1
2	99.3820.00	Vite M10x120 UNI 5931	8
3	90.5118.00	Anello antiestr. Ø 19.5x22x1.5	3
4	90.3596.00	OR Ø 18.77x1.78 (2075)	3
5	66.2102.70	Distanziale	3
6	36.7121.01	Gruppo valvola aspiraz. / mand. 150	6
7	90.3841.00	OR Ø 17.13x2.62 (3068) 150	6
8	36.2003.66	Sede valvola 150	6
9	36.2032.66	Valvola sferica 150	6
10	94.7376.00	Molla Ø 9.4x14.8 150	6
11	36.2025.51	Guida valvola 150	6
12	90.5115.00	Anello antiest. Ø 18.7x23x1.5	3
13	90.3843.00	OR Ø 17.86x2.62 (123)	3
14	66.2101.66	Bussola	3
15	90.3857.00	OR Ø 23.81x2.62 (132)	6
16	66.2100.70	Tappo Ø 29	3
17	90.5165.00	Anello antiest. Ø 24.7x29x1.5	3
18	66.1301.41	Tappo valvole M32x1.5x18.5	3
19	99.3039.00	Vite M8x16 UNI 5931	8

KIT RICAMBI – SPARE KITS

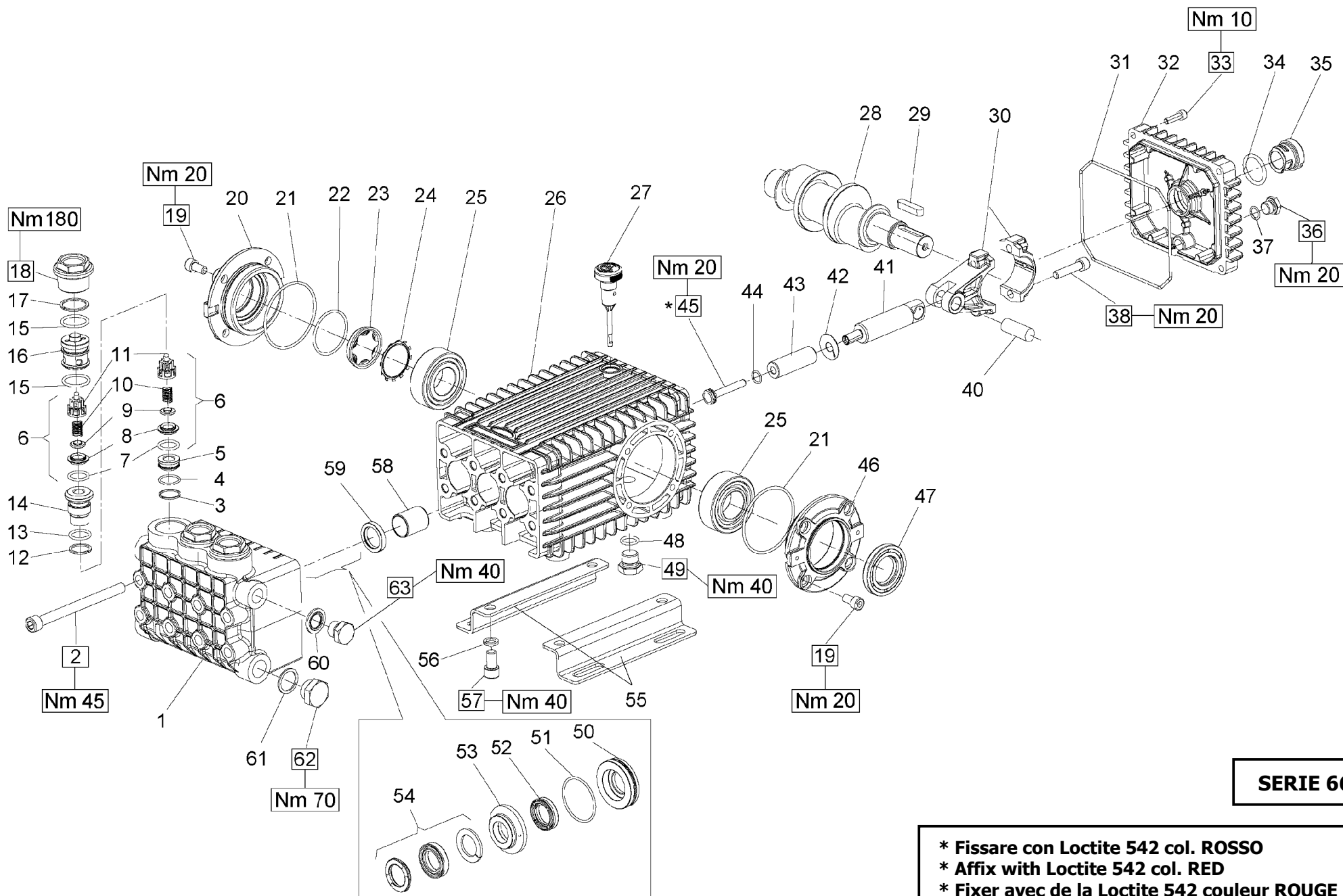
PISTONE - PISTON Ø16

PISTONE - PISTON Ø18

KIT Nr.	KIT 2	KIT 3	KIT 150	KIT 174	KIT 175	KIT 180	KIT 176
Posizioni incluse Positions included	55	20	7 – 8 9 – 10 11 (6)	48 – 50	46 – 47 48 – 49 50	48 – 50	46 – 47 48 – 49 50
Nr. Pcs.	3	2	6	3	1	3	1

POS	COD.	DESCRIZIONE – DESCRIPTION - KIT	NR
20	90.1648.00	Anello rad. Ø 30x56x7 3	2
21	47.1510.22	Coperchio cuscinetto aperto	2
22	90.3913.00	OR Ø 67.95x2.62 (3268)	2
23	91.8380.00	Cuscinetto a rulli NJ 2206 EC	2
24	66.0100.22	Carter pompa	1
25	98.2106.00	Tappo carico olio	1
26	91.4892.00	Linguetta 9x7x35 UNI 6604	2
27	66.0210.35	Albero – D.PTO W5015 – W4015 – W3521 T4015 – T5018	1 1
28	66.0300.01	Biella completa	3
29	90.3922.00	OR Ø 133.02x2.62 (3525)	1
30	66.1600.22	Coperchio posteriore	1
31	99.1884.00	Vite M6x20 UNI 5931	4
32	90.4051.00	OR Ø 26.58x3.53 (4106)	1
33	63.2100.51	Spia livello olio	1
34	98.2042.50	Tappo G 1/4"x9 TE17 – Zinc.	1
35	90.3585.00	OR Ø 10.82x1.78 (2043)	1
36	99.3099.00	Vite M8x35 UNI 5931	6
38	97.7405.00	Spinotto Ø 14x39	3
39	66.0500.66	Guida pistone	3
40	96.7101.00	Rosetta Ø 10x28x0.5	3
41	66.0402.09	Pistone Ø 16x54	3
	66.0403.09	Pistone Ø 18x54	3
42	90.3584.00	OR Ø 10.82x1.78 (2043) – 90 Sh.	3

POS	COD.	DESCRIZIONE – DESCRIPTION - KIT	NR
43	66.2195.66	Vite fissaggio pistone	3
44	90.3833.00	OR Ø 13.95x2.62 (3056)	1
45	98.2100.50	Tappo G 3/8"x13 TE22 – Zinc.	1
46	66.0802.70	Anello di fondo Ø 16	175 3
	66.0803.70	Anello di fondo Ø 18	176 3
47	90.3616.00	OR Ø 34.65x1.78 (2137) 175-176	3
48	90.2631.00	Anello tenuta Ø 16x24x6.5 LP 174-175	3
	90.2652.00	Anello tenuta Ø 18x26x6.5 LP 180-176	3
49	66.2162.70	Anello intermedio Ø 16	175 3
	66.2163.70	Anello intermedio Ø 18	176 3
50	90.2634.00	Anello tenuta Ø 16x26x9.5 HP 174-175	3
	90.2655.00	Anello tenuta Ø 18x28x10 HP 180-176	3
51	47.2000.74	Piedino fissaggio pompa	2
52	96.7106.00	Rosetta Ø 10.2 DIN 7980	4
53	99.3644.00	Vite M10x18 UNI 5931	4
54	90.9126.00	Boccola Ø 22x25x30	3
55	90.1625.00	Anello rad. Ø 22x32x5.5 2	3
56	93.1858.00	Rondella di tenuta G 3/8" Ø 15x27x2	1
57	96.7514.00	Rosetta Ø 21.5x27x1.5	1
58	98.2176.00	Tappo G 1/2"x10	1
59	98.2100.00	Tappo G 3/8"x13	1



SERIE 66

- * Fissare con Loctite 542 col. ROSSO
- * Affix with Loctite 542 col. RED
- * Fixer avec de la Loctite 542 couleur ROUGE
- * Mit Loctite 542 ROT befestigen
- * Fijar con Loctite 542 col. ROJO
- * Fixar com Loctite 542 cor. VERMELHA



**W5015 – W4518 – W4015 – W4018 – W3521
W3523 - T4018 – W5018 – T5018**

	PISTONE – PISTON - Ø16	PISTONE – PISTON - Ø18
OTTONE BRASS	W5015 – W4518 W4015 - W4018 - T4018	W3521 – W3523
NICKEL	W5018 – T5018	-

POS	COD.	DESCRIZIONE – DESCRIPTION - KIT	NR
1	66.1210.41	Testata Ø 16	1
	66.1211.41	Testata Ø 18	1
	66.1240.41	Testata Ø 16 – W5015 – W4518	1
	66.1247.41	Testata Ø 16 – NICKEL	1
2	99.3820.00	Vite M10x120 UNI 5931	8
3	90.5118.00	Anello antiest. Ø 19.5x22x1.5	3
4	90.3596.00	OR Ø 18.77x1.78 (2075)	3
5	66.2102.70	Distanziale	3
6	36.7121.01	Gruppo valvola aspiraz. / mand.	150 6
7	90.3841.00	OR Ø 17.13x2.62 (3068)	150 6
8	36.2003.66	Sede valvola	150 6
9	36.2032.66	Valvola sferica	150 6
10	94.7376.00	Molla Ø 9.4x14.8	150 6
11	36.2025.51	Guida valvola	150 6
12	90.5115.00	Anello antiest. Ø 18.7x23x1.5	3
13	90.3843.00	OR Ø 17.86x2.62 (123)	3
14	66.2101.66	Bussola	3
15	90.3857.00	OR Ø 23.81x2.62 (132)	6
16	66.2100.70	Tappo Ø 29	3
17	90.5165.00	Anello antiest. Ø 24.7x29x1.5	3
18	66.1301.41	Tappo valvole M32x1.5x18.5	3
	66.1310.41	Tappo valvole M32x1.5x18.5 - NICKEL	3
19	99.3039.00	Vite M8x16 UNI 5931	8

KIT RICAMBI – SPARE KITS

KIT Nr.	KIT 2	KIT 3	KIT 150	PISTONE - PISTON Ø16		PISTONE - PISTON Ø18	
				KIT 174	KIT 175	KIT 180	KIT 176
Posizioni incluse Positions included	59	47	7 – 8 9 – 10 11 (6)	52 - 54	50 – 51 52 – 53 54	52 - 54	50 – 51 52 – 53 54
Nr. Pcs.	3	2	6	3	1	3	1

POS	COD.	DESCRIZIONE – DESCRIPTION - KIT	NR
20	47.1512.22	Coperchio cuscinetto lato spia	1
21	90.3913.00	OR Ø 67.95x2.62 (3268)	2
22	90.3877.00	OR Ø 39.34x2.62 (3156)	1
23	70.2118.01	Spia livello olio	1
24	90.0756.00	Anello seeger Ø 45	1
25	91.8380.00	Cuscinetto a rulli NJ 2206 EC	2
26	66.0100.22	Carter pompa	1
27	98.2106.00	Tappo carico olio	1
28	66.0200.35	Albero – W5015–W4015–W3521–T4018–T5018	1
	66.0204.35	Albero – W4518–W4018–W3523–W5018	1
29	91.4892.00	Linguetta 9x7x35 UNI 6604	1
30	66.0300.01	Biella completa	3
31	90.3922.00	OR Ø 133.02x2.62 (3525)	1
32	66.1600.22	Coperchio posteriore	1
33	99.1884.00	Vite M6x20 UNI 5931	4
34	90.4051.00	OR Ø 26.58x3.53 (4106)	1
35	63.2100.51	Spia livello olio	1
36	98.2042.50	Tappo G 1/4"x9 TE17 – Zinc.	1
37	90.3585.00	OR Ø 10.82x1.78 (2043)	1
38	99.3099.00	Vite M8x35 UNI 5931	6
40	97.7405.00	Spinotto Ø 14x39	3
41	66.0500.66	Guida pistone	3
42	96.7101.00	Rosetta Ø 10x28x0.5	3

POS	COD.	DESCRIZIONE – DESCRIPTION - KIT	NR
43	66.0402.09	Pistone Ø 16x54	3
	66.0403.09	Pistone Ø 18x54	3
44	90.3584.00	OR Ø 10.82x1.78 (2043) – 90 Sh.	3
45	66.2195.66	Vite fissaggio pistone	3
46	47.1510.22	Coperchio cuscinetto aperto	1
47	90.1648.00	Anello rad. Ø 30x56x7	3 1
48	90.3833.00	OR Ø 13.95x2.62 (3056)	1
49	98.2100.50	Tappo G 3/8"x13 TE22 – Zinc.	1
50	66.0802.70	Anello di fondo Ø 16	175 3
	66.0803.70	Anello di fondo Ø 18	176 3
51	90.3616.00	OR Ø 34.65x1.78 (2137)	175-176 3
52	90.2631.00	Anello tenuta Ø 16x24x6.5 LP	174-175 3
	90.2652.00	Anello tenuta Ø 18x26x6.5 LP	180-176 3
53	66.2162.70	Anello intermedio Ø 16	175 3
	66.2163.70	Anello intermedio Ø 18	176 3
54	90.2634.00	Anello tenuta Ø 16x26x9.5 HP	174-175 3
	90.2655.00	Anello tenuta Ø 18x28x10 HP	180-176 3
55	47.2000.74	Piedino fissaggio pompa	2
56	96.7106.00	Rosetta Ø 10.2 DIN 7980	4
57	99.3644.00	Vite M10x18 UNI 5931	4
58	90.9126.00	Boccola Ø 22x25x30	3
59	90.1625.00	Anello rad. Ø 22x32x5.5	2 3
60	93.1858.00	Rondella di tenuta G 3/8" Ø 15x27x2	1
61	96.7514.00	Rosetta Ø 21.5x27x1.5	1
62	98.2176.00	Tappo G 1/2"x10	1
63	98.2100.00	Tappo G 3/8"x13	1