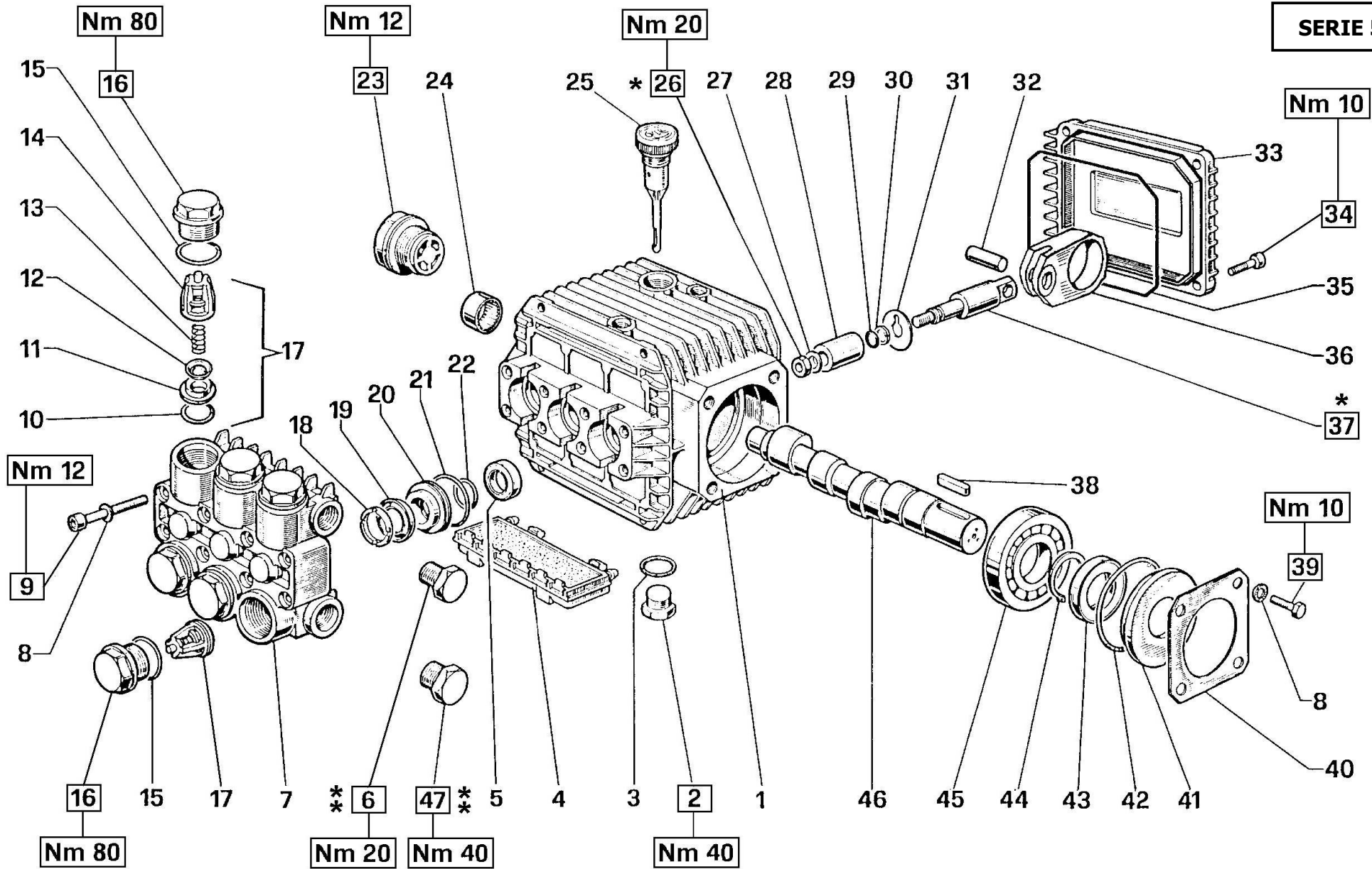


**SERIE 51**



\* Fissare con Loctite 270 col. VERDE  
 \* Affix with Loctite 270 col. GREEN  
 \* Fixer avec de la Loctite 270 couleur VERT  
 \* Mit Loctite 270 GRÜN befestigen  
 \* Fijar con Loctite 270 col. VERDE  
 \* Fixar com Loctite 270 cor. VERDE

\*\* Fissare con Loctite 542 col. ROSSO  
 \*\* Affix with Loctite 542 col. RED  
 \*\* Fixer avec de la Loctite 542 couleur ROUGE  
 \*\* Mit Loctite 542 ROT befestigen  
 \*\* Fijar con Loctite 542 col. ROJO  
 \*\* Fixar com Loctite 542 cor. VERMELHA

5



**W1507 – WW1508 – WW1509 – WW1510  
 WW1511 – WW1513 – W1208 – W1210  
 T1508 – TT1508 – TT1510 – TT1511  
 TT1512 – TT1513 – TT1209 – T1212**

### KIT RICAMBI – SPARE KITS

PISTONE - PISTON Ø15

PISTONE - PISTON Ø18

KIT Nr.	KIT 83	KIT 123	KIT 157	KIT 86	KIT 96	KIT 97	KIT 139	KIT 140	KIT 141
Posizioni include Positions included	5	10 – 11 12 – 13 14 (17)	15 - 16	20 - 21 22	18 – 19 20 – 21 22	18 – 19 21 - 22	20 - 21 22	18 – 19 20 – 21 22	18 – 19 21 – 22
Nr. Pcs.	3	6	6	3	1	3	3	1	3

PISTONE - PISTON Ø 15	PISTONE - PISTON Ø 18
<b>W1507 – WW1508 - WW1509            WW1510 - WW1511            WW1513            T1508 – TT1508 – TT1510            TT1511 – TT1512 – TT1513</b>	<b>W1208 – W1210            T1209 – T1212</b>

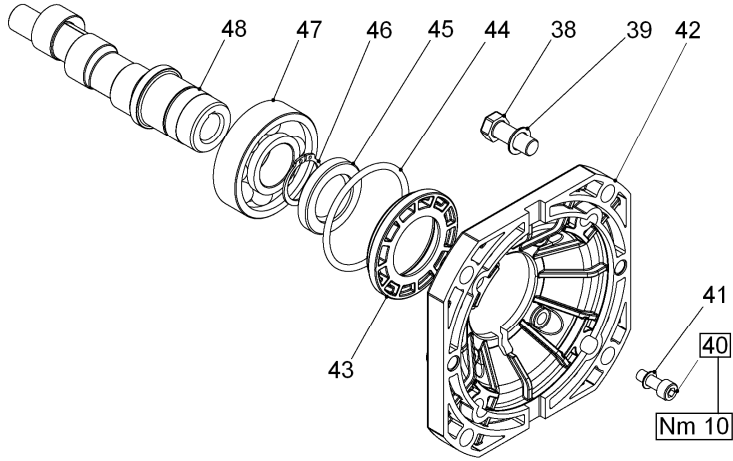
POS	COD.	DESCRIZIONE – DESCRIPTION - KIT	NR
17	36.7115.01	Gruppo valvola aspiraz. / mand. 123	6
18	51.1000.51	Anello di testa Ø 15 96-97	3
	51.1001.51	Anello di testa Ø 18 140-141	
19	90.2620.00	Anello ten. alt. Ø 15x25x5/3.1 96-97	3
	90.2681.00	Anello ten. alt. Ø 18x26x5/3 140-141	
20	51.0800.70	Anello di fondo Ø 15 86-96	3
	51.0803.70	Anello di fondo Ø 18 139-140	
21	90.3604.00	OR Ø 25.12x1.78 (2100) 86-96-97 139-140-141	3
22	90.3835.00	OR Ø 15.08x2.62 (119) 86-96-97	3
	90.3843.00	OR Ø 17.86x2.62 (123) 139-140-141	
23	97.5968.00	Spia livello olio	1
24	91.8014.00	Boccola a rullini	1
25	98.2103.00	Tappo carico olio	1
26	92.2216.00	Dado M8x13x5 – INOX	3
27	44.2115.70	Rosetta Ø 8 con collare	3
28	51.0400.09	Pistone Ø 15x25	3
	51.0401.09	Pistone Ø 18x25	
29	90.3573.00	OR Ø 5.28x1.78 (2021)	3
30	90.5022.00	Anello antiest. Ø 6.2x9x1.5	3
31	96.7070.00	Rosetta Ø 9x23x0.5	3
32	97.7310.00	Spinotto Ø 8x24.5	3
33	51.1600.22	Coperchio posteriore	1
34	99.1867.00	Vite M6x18 UNI 5931	4
35	90.3917.00	OR Ø 88.57x2.62 (3350)	1

POS	COD.	DESCRIZIONE – DESCRIPTION - KIT	NR
36	51.0301.22	Biella	3
37	51.0500.56	Guida pistone	3
38	91.4877.00	Linguetta 8x7x25 UNI 6604	1
39	99.1807.00	Vite M6x10 UNI 5937	4
40	50.1500.74	Coperchio carter	1
41	50.2115.51	Distanziale	1
42	90.4097.00	OR Ø 55.56x3.53 (159)	1
43	90.1634.00	Anello rad. Ø 25x42x7	1
44	90.0635.00	Anello seeger Ø 25	1
45	91.8328.00	Cuscinetto a sfere 6305	1
46	51.0217.65	Albero C.7.2 - W1208 WW1510 T1209 TT1512	1
	51.0204.65	Albero C.9.4 - W1210 W1507 WW1513 T1210 T1508	
	51.0200.65	Albero C.6 - WW1508 TT1510	
	51.0201.65	Albero C.8 - WW1511 TT1513	
	51.0206.65	Albero C.6.6 - WW1509 TT1511	
47	98.2100.00	Tappo G 3/8"x13	1

POS	COD.	DESCRIZIONE – DESCRIPTION - KIT	NR
1	51.0106.22	Carter pompa	1
2	98.2100.50	Tappo G 3/8"x13 TE Zinc.	1
3	90.3833.00	OR Ø 13.95x2.62 (3056)	2
4	51.2090.51	Protezione	1
5	90.1565.00	Anello rad. Ø 15x24x5 83	3
6	98.2041.00	Tappo G 1/4"x9	2
7	51.1200.41	Testata Ø 15	1
	51.1204.41	Testata Ø 18	
8	96.6938.00	Rondella Ø 6.4x10x0.7	8
9	99.1943.00	Vite M6x40 UNI 5931	8
10	90.3841.00	OR Ø 17.13x2.62 (3068) 123	6
11	36.2003.66	Sede valvola 123	6
12	36.2001.76	Valvola sferica 123	6
13	94.7376.00	Molla Ø 9.4x14.8 123	6
14	36.2025.51	Guida valvola 123	6
15	90.3847.00	OR Ø 20.24x2.62 (3081) 157	6
16	98.2216.00	Tappo M24x1.5x11.2 157	6

## VERSION A (for electric motors NEMA 56 C)

**W905 – WW906 – WW907  
T9051 – TT9061 – TT9071  
T1209 – T1212 – T1508**



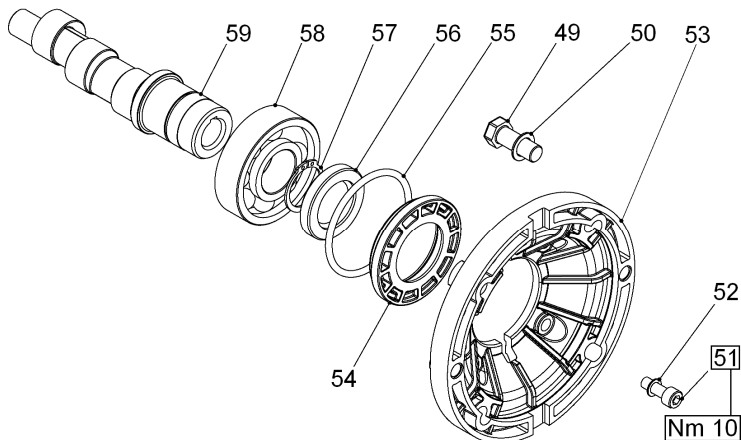
DIS. COD. 51.9517.00

POS	COD.	DESCRIZIONE - DESCRIPTION	NR
38	99.3345.00	Vite 3/8"x16	4
39	96.7104.00	Rosetta Ø 10,5x16x1	4
40	99.1867.00	Vite M6x18 UNI 5931	4
41	96.6938.00	Rosetta Ø 6.4x10x0.7	4
42	10.0344.22	Flangia per motore elettrico	1
43	50.2115.51	Distanziale	1
44	90.4097.00	OR Ø 55.56x3.53 (159)	1
45	90.1644.00	Anello rad. Ø 30x42x7	1
46	90.0667.00	Anello di fermo albero Ø 30	1
47	91.8373.00	Cuscinetto a sfere 6206	1
48	51.0208.65 51.0209.65 51.0215.65 51.0225.65	Albero C.5 – WW906 TT9061 Albero C.6 – WW907 TT9071 Albero C.9.4 – W905 T9051 T1212 T1508 Albero C.7.2 – T1209	1

**SERIE 51**

## VERSION B (for electric motors IEC 90 B14)

**WW55 – WW56 – WW74 – WW75  
WW90 – WW93 – WW94 – WW95  
W1208 – W1210 – W1507 – WW1508  
WW1510 – WW1511 – WW1513 - TT551  
TT561 – TT741 – TT751 – TT901 – TT931  
TT941 – TT951**



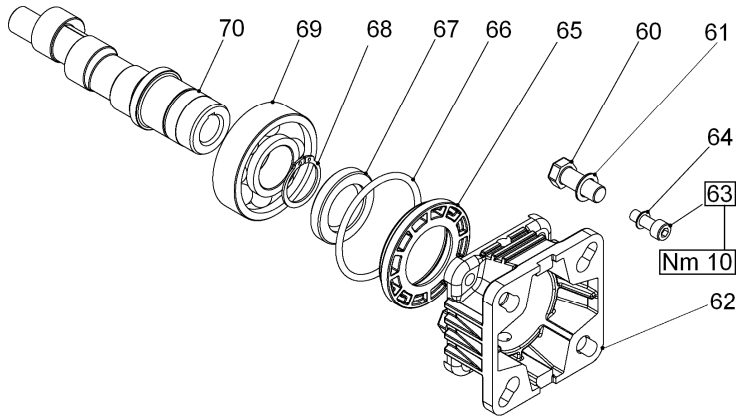
DIS. COD. 51.9518.00

POS	COD.	DESCRIZIONE - DESCRIPTION	NR
49	99.3067.00	Vite M8x25 UNI 5739	4
50	96.7014.00	Rosetta Ø 8.4x13x0.8	4
51	99.1867.00	Vite M6x18 UNI 5931	4
52	96.6938.00	Rosetta Ø 6.4x10x0.7	4
53	10.0345.22	Flangia per motore elettrico	1
54	50.2115.51	Distanziale	1
55	90.4097.00	OR Ø 55.56x3.53 (159)	1
56	90.1644.00	Anello rad. Ø 30x42x7	1
57	90.0667.00	Anello di fermo Ø 30	1
58	91.8373.00	Cuscinetto a sfere 6206	1
59	51.0212.65 51.0213.65 51.0214.65 51.0216.65	Albero C.6 – WW55 WW74 WW90 TT551 TT741 TT901 WW1508 Albero C.8 – WW56 WW75 WW93 TT561 TT751 TT631 WW1511 Albero C.9.4 – WW94 TT941 W1210 W1507 WW1513 Albero C.7.2 – WW95 TT951 W1208 WW1510	1

**SERIE 51**

# VERSION C (for gasoline engines SAE J 609 type A ext.3)

**WW906 – WW907 – WW909**  
**TT9061 – TT9071 – TT9091 - TT1508**  
**TT1510 – TT1511 – TT1512 – TT1513**



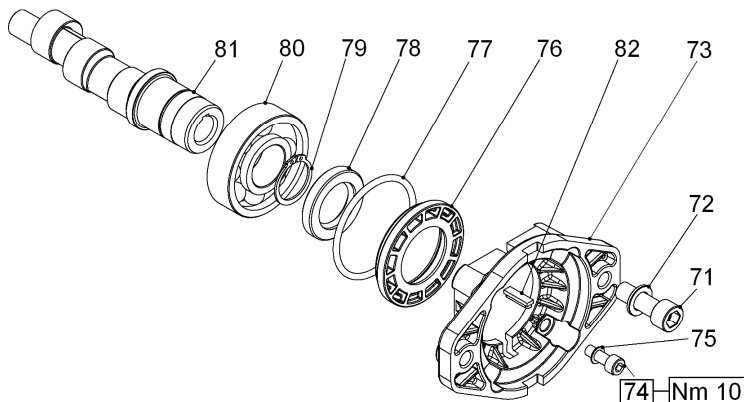
DIS. COD. 51.9519.00

POS	COD.	DESCRIZIONE - DESCRIPTION	NR
60	99.2730.00	Vite 5/16"x3/4"x24	4
61	96.7014.00	Rosetta Ø 8.4x13x0.8	4
62	10.0346.22	Flangia per motore a scoppio	1
63	99.1867.00	Vite M6x18 UNI 5931	4
64	96.6938.00	Rosetta Ø 6.4x10x0.7	4
65	50.2115.51	Distanziale	1
66	90.4097.00	OR Ø 55.56x3.53 (159)	1
67	90.1644.00	Anello rad. Ø 30x42x7	1
68	90.0667.00	Anello di fermo albero Ø 30	1
69	91.8373.00	Cuscinetto a sfere 6206	1
70	51.0210.65 51.0211.65 51.0218.65 51.0223.65 51.0221.65	Albero C.5 - WW906 TT9061 TT1508 Albero C.6 - WW907 TT9071 TT1511 Albero C.8 - WW909 TT9091 TT1513 Albero C.6 - TT1510 Albero C.7.2 - TT1512	1

**SERIE 51**

# VERSION I (for hydraulic motors SAE J 744 type A – 5/8")

**WW1513**



DIS. COD. 51.9585.00

POS	COD.	DESCRIZIONE - DESCRIPTION	NR
71	99.3686.00	Vite M10x30 UNI 5931	2
72	96.7103.00	Rosetta Ø 10.5x18x2	2
73	10.0763.22	Flangia per motore idraulico	1
74	99.1867.00	Vite M 6x18 UNI 5931	4
75	96.6938.00	Rosetta Ø 6.4x10x0.7	4
76	50.2115.51	Distanziale	1
77	90.4097.00	OR Ø 55.56x3.53 (159)	1
78	90.1644.00	Anello rad. Ø 30x42x7	1
79	90.0667.00	Anello di fermo albero Ø 30	1
80	91.8373.00	Cuscinetto a sfere 6206	1
81	51.0215.65	Albero C.9.4 – WW1513	1
82	91.4685.00	Linguetta 4/4.8x18	1

**SERIE 51**

# VH VERSION

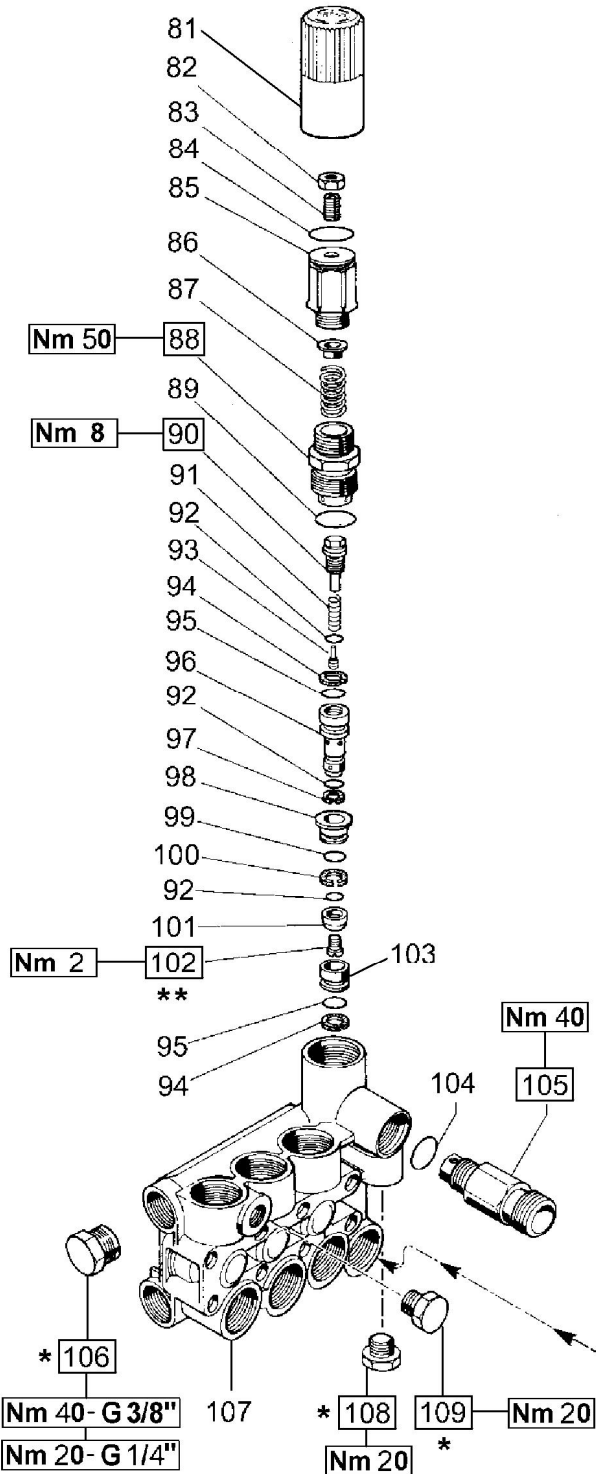
VERSIONE CON VALVOLA DI REGOLAZIONE AUT. – VERSION WITH BUILT-IN AUT. UNLOADER  
 VERSION AVEC RÉGULATEUR AUT. DE PRESSION INCORPORÉ  
 AUSFÜHRUNG MIT EINGEBAUTEM AUT. DRUCKREGULIERVENTIL

VERSIÓN CON REGULADOR AUT. DE PRESIÓN INCORPORADO - VERSÃO COM VÁLVULA DO REGULAMENTO AUT.

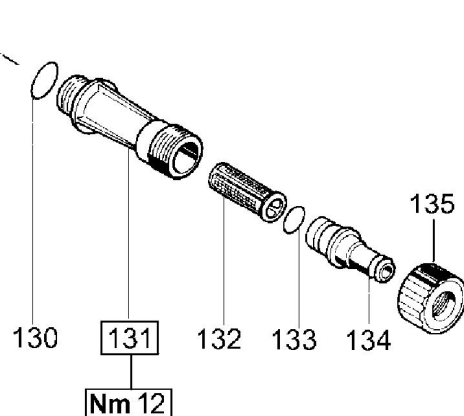
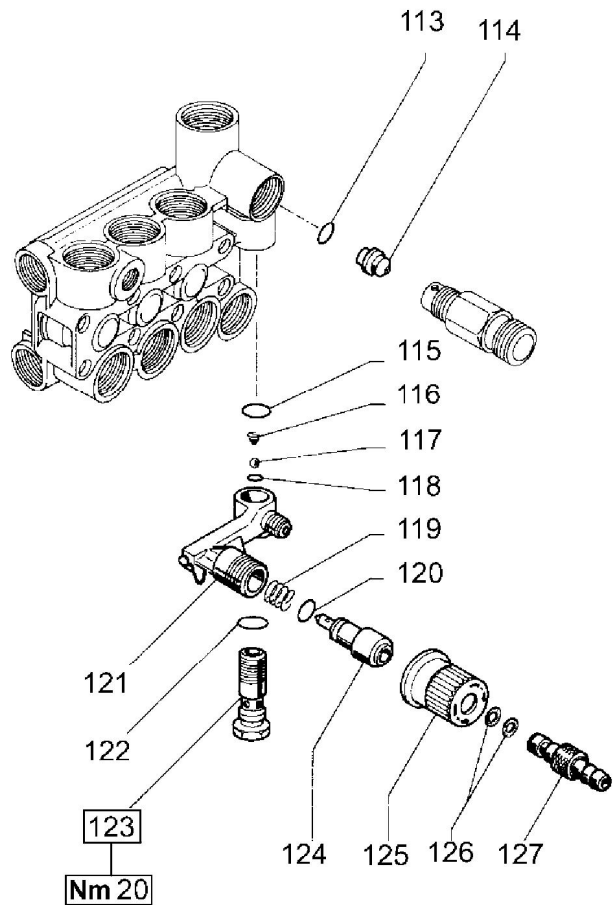
- \* Fissare con Loctite 542 col. ROSSO
- \* Affix with Loctite 542 col. RED
- \* Fixer avec de la Loctite 542 couleur ROUGE
- \* Mit Loctite 542 ROT befestigen
- \* Fijar con Loctite 542 col. ROJO
- \* Fixar com Loctite 542 cor. VERMELHA

- \*\* Fissare con Loctite 270 col. VERDE
- \*\* Affix with Loctite 270 col. GREEN
- \*\* Fixer avec de la Loctite 270 couleur VERT
- \*\* Mit Loctite 270 GRÜN befestigen
- \*\* Fijar con Loctite 270 col. VERDE
- \*\* Fixar com Loctite 270 cor. VERDE

## SERIE 51



## OPTIONALS



DIS. COD. 51.9571.00

# VH VERSION

**VERSIONE CON VALVOLA DI REGOLAZIONE AUT. – VERSION WITH BUILT-IN AUT. UNLOADER  
VERSION AVEC RÉGULATEUR AUT. DE PRESSION INCORPORÉ  
AUSFÜHRUNG MIT EINGEBAUTEM AUT. DRUCKREGULIERVENTIL  
VERSIÓN CON REGULADOR AUT. DE PRESIÓN INCORPORADO - VERSÃO COM VÁLVULA DO REGULAMENTO AUT.**

POS	COD.	DESCRIZIONE – DESCRIPTION - KIT	N
81	36.3187.51	Pomolo	1
82	92.2218.00	Dado M8x13 UNI 5589	1
83	99.3054.00	Vite M8x20 UNI 5923	1
84	90.3598.00	OR Ø 20.35x1.78 (2081)	1
85	36.3185.70	Registro pressione	1
86	36.3169.70	Piattello molla	1
87	94.7436.00	Molla Ø 15x35	1
88	36.3184.70	Boccola di guida 102	1
89	90.3847.00	OR Ø 20.24x2.62 (3081) – 90 Sh. 102	1
90	36.3188.70	Fine corsa 102	1
91	94.7332.00	Molla Ø 6.1x19 102	1
92	90.3575.00	OR Ø 6.75x1.78 (106) 102	3
93	36.3331.51	Otturatore 102	1
94	90.5065.00	Anello antiest. Ø 10.6x15x2 102	2
95	90.3822.00	OR Ø 9.92x2.62 (112) 102	2
96	36.3189.70	Pistoncino di comando 102	1
97	90.5025.00	Anello antiest. Ø 7x10x1.5 102	1
98	36.3165.70	Guida valvola 102	1
99	90.3589.00	OR Ø 12.42x1.78 (2050) 102	1
100	90.5075.00	Anello antiest. Ø 13x16x1.5 102	1
101	36.3190.66	Valvola sferica 102	1
102	99.1509.00	Vite M5x0.8x8.5 102	1
103	36.3164.66	Sede valvola 102	1
104	90.3832.00	OR Ø 13.95x2.62 (3056) 94	1
105	10.0147.70 10.0078.70 10.0318.70	Nipplo M22x1.5 con Ø 3 Nipplo G 3/8" con Ø 3 Nipplo 3/8" NPT con Ø 3 - USA	1 1 1
106	98.2041.00	Tappo G 1/4"x9	1
107	51.1201.41 51.1205.41	Testata Ø 15 Testata Ø 18	1 1
108	98.2057.00	Tappo M14x1.5	1
109	98.2041.00	Tappo G 1/4"x9	1

OPTIONALS			
POS	COD.	DESCRIZIONE – DESCRIPTION - KIT	N
113	90.3822.00	OR Ø 9.92x2.62 (112) 94	1
114	10.0437.70 10.0151.66 10.0076.66	Ugello D. 1.6 (<8 l/min.) Ugello D. 2 (8-11 l/min.) Ugello D. 2.2 (12-15 l/min.)	1 1 1
115	90.3582.00	OR Ø 9.25x1.78 (2037) 94	1
116	94.8217.00	Molla conica Ø 4.3/7.6x11 94	1
117	97.4782.00	Sfera Ø 7/32" 94	1
118	90.3572.00	OR Ø 5.28x1.78 (2021) 94	1
119	94.7383.00	Molla Ø 9.75x10 94	1
120	90.3580.00	OR Ø 8.73x1.78 (108) 94	1
121	36.3181.51	Corpo dosatore	1
122	90.3585.00	OR Ø 10.82x1.78 (2043) 94	1
123	36.2563.70	Sede valvola	1
124	36.2564.70	Otturatore	1
125	36.2565.51	Pomolo	1
126	90.3570.00	OR Ø 4.48x1.78 (2018) 94	2
127	36.2566.70	Innesto portagomma	1
130	90.3841.00	OR Ø 17.13x2.62 (3068)	1
131	36.3182.51	Nipplo aspirazione G 3/4"	1
132	92.8925.00	Filtro	1
133	90.3828.00	OR Ø 12.37x2.62 (3050)	1
134	36.2569.70	Portagomma aspirazione	1
135	92.9828.00	Ghiera G 3/4"	1

## KIT RICAMBI – SPARE KITS

KIT NR.	KIT 94	KIT 102
<b>Posizioni include</b> <b>Positions included</b>	<b>104 – 113 – 115</b> <b>116 – 117 – 118</b> <b>119 – 120 – 122</b> <b>126</b>	<b>88 – 89 – 90</b> <b>91 – 92 – 93</b> <b>94 – 95 – 96</b> <b>97 – 98 – 99</b> <b>100 – 101</b> <b>102 – 103</b>
<b>Nr. Pcs.</b>	<b>1</b>	<b>1</b>