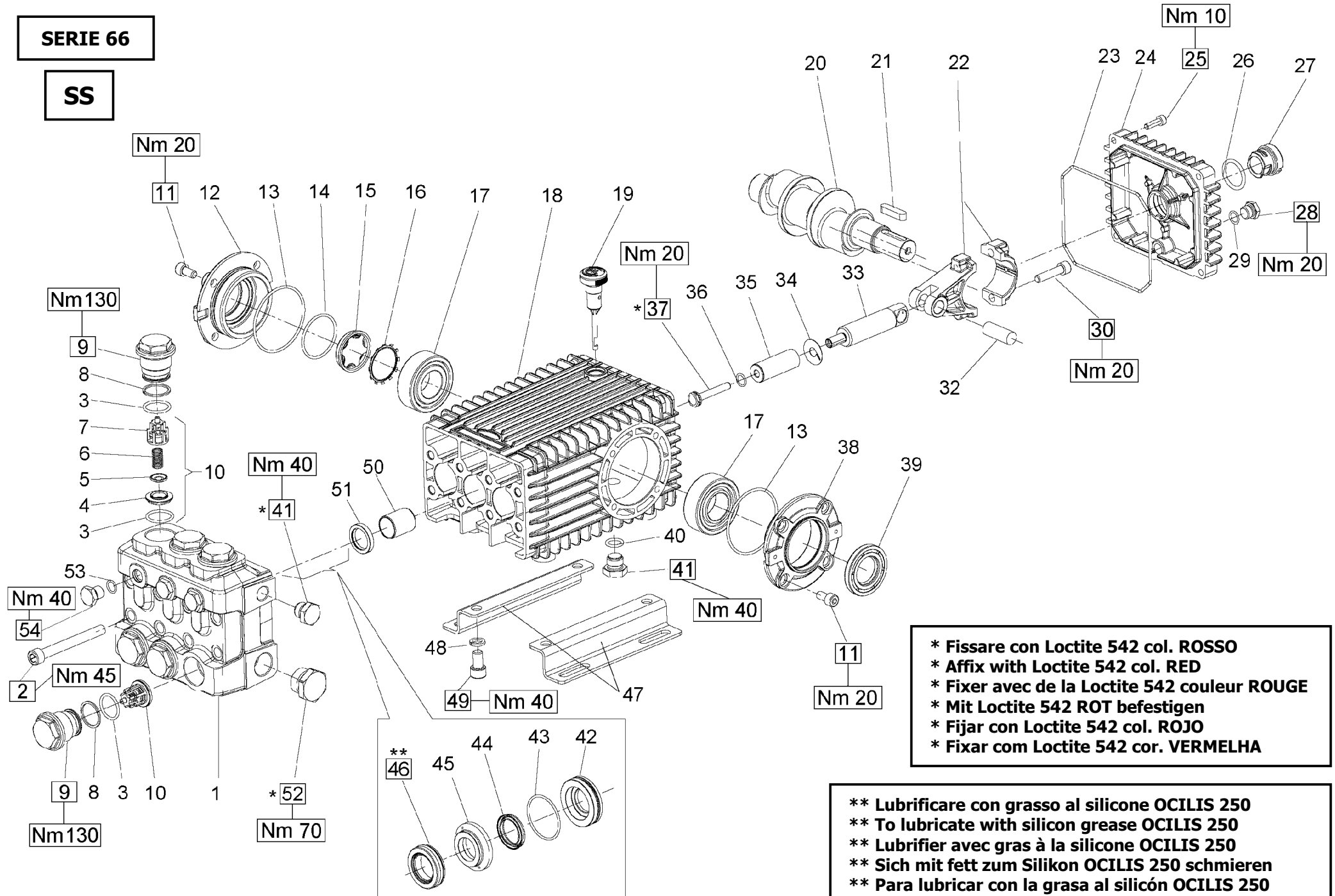


SERIE 66

SS



* Fissare con Loctite 542 col. ROSSO
 * Affix with Loctite 542 col. RED
 * Fixer avec de la Loctite 542 couleur ROUGE
 * Mit Loctite 542 ROT befestigen
 * Fijar con Loctite 542 col. ROJO
 * Fixar com Loctite 542 cor. VERMELHA

** Lubrificare con grasso al silicone OCILIS 250
 ** To lubricate with silicon grease OCILIS 250
 ** Lubrifier avec gras à la silicone OCILIS 250
 ** Sich mit fett zum Silikon OCILIS 250 schmieren
 ** Para lubricar con la grasa al silicón OCILIS 250
 ** Para lubrificar com a graxa ao silicone OCILIS 250



SSE2025 – SSE2030 – SSE2035 – SSE2041
SSU2030 – SSU2035 – SSU2040 – SSU2050

PISTONE - PISTON Ø 20

PISTONE - PISTON Ø 22

SSE2025
SSU2030 – SSU2035

SSE2030 – SSE2035
SSU2040

PISTONE - PISTON Ø 24

SSE2041 – SSU2050

| POS | COD. | DESCRIZIONE – DESCRIPTION - KIT | NR |
|-----|------------|---------------------------------|--------|
| 1 | 66.1203.36 | Testata Ø 20 - INOX | 1 |
| | 66.1204.36 | Testata Ø 22 - INOX | 1 |
| | 66.1205.36 | Testata Ø 24 - INOX | 1 |
| 2 | 99.3802.00 | Vite M10x90 UNI 5931 - INOX | 8 |
| 3 | 90.3857.00 | OR Ø 23.81x2.62 (132) | 228 12 |
| 4 | 36.2037.66 | Sede valvola sferica - INOX | 228 6 |
| 5 | 36.2034.76 | Valvola | 228 6 |
| 6 | 94.7388.00 | Molla Ø 10x18.5 | 228 6 |
| 7 | 36.2035.51 | Guida valvola | 228 6 |
| 8 | 90.5165.00 | Anello antiest. Ø 24.7x29x1.5 | 6 |
| 9 | 66.1302.66 | Tappo M32x1.5x29.5 - INOX | 6 |
| 10 | 36.7131.01 | Gruppo valvola aspiraz. / mand. | 228 6 |
| 11 | 99.3038.00 | Vite M8x16 UNI 5931 - INOX | 8 |
| 12 | 47.1512.22 | Coperchio cuscinetto lato spia | 1 |
| 13 | 90.3913.00 | OR Ø 67.95x2.62 (3268) | 2 |
| 14 | 90.3877.00 | OR Ø 39.34x2.62 (3156) | 1 |
| 15 | 70.2118.01 | Spia livello olio | 1 |
| 16 | 90.0756.00 | Anello di arresto Ø 45 | 1 |
| 17 | 91.8380.00 | Cuscinetto a rulli NJ 2206 EC | 2 |
| 18 | 66.0100.22 | Carter pompa | 1 |

KIT RICAMBI – SPARE KITS

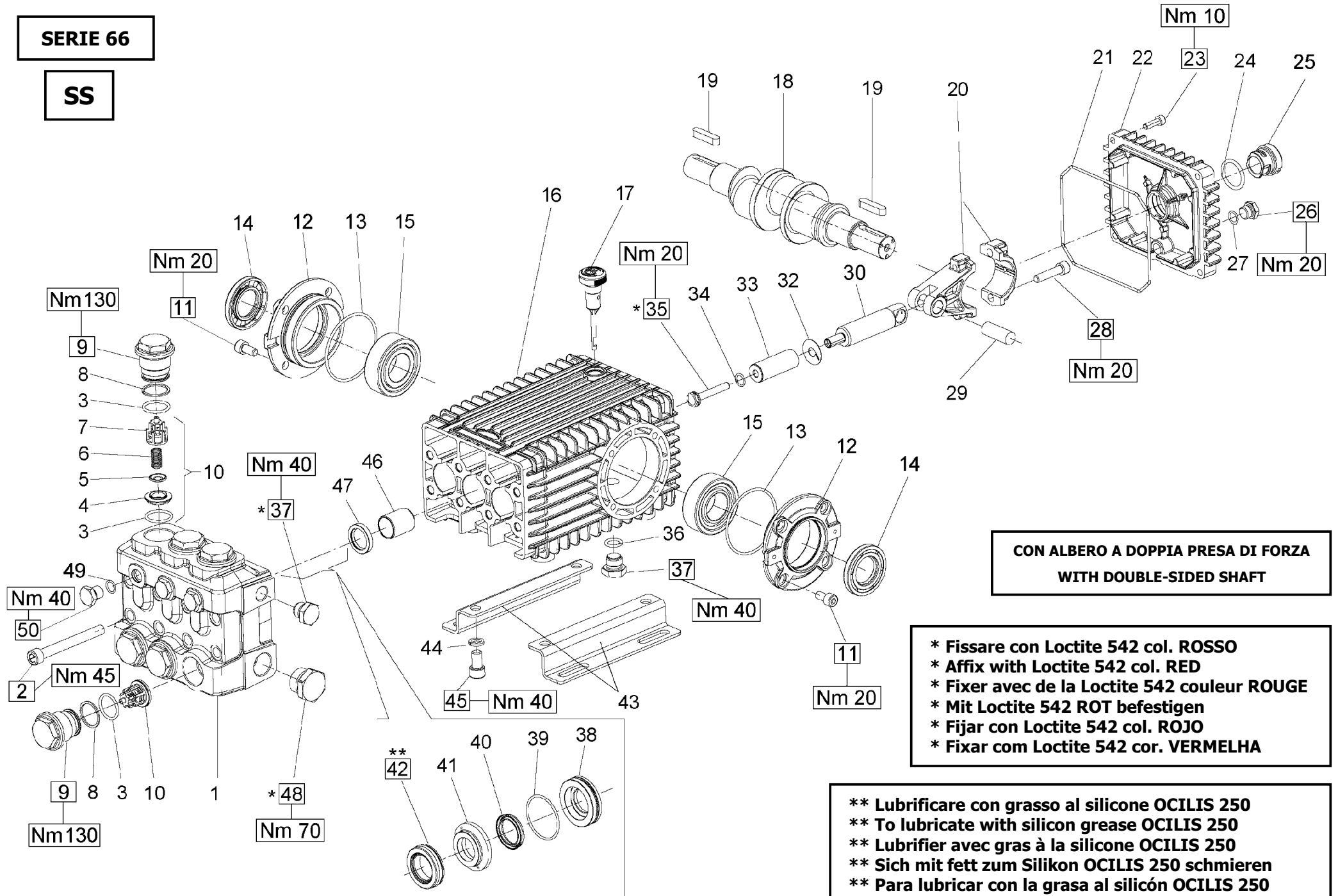
| KIT Nr. | PISTONE - PISTON Ø20 | | | PISTONE - PISTON Ø22 | | PISTONE - PISTON Ø24 | | | |
|--------------------------------------|----------------------|-------|-----------------------------|----------------------|--------------------------|----------------------|--------------------------|---------|--------------------------|
| | KIT 2 | KIT 3 | KIT 228 | KIT 206 | KIT 217 | KIT 208 | KIT 218 | KIT 210 | KIT 219 |
| Posizioni include Positions included | 51 | 39 | 3 – 4 5 – 6 7 (10) | 44 – 46 | 42 – 43 44 – 45 46 | 44 – 46 | 42 – 43 44 – 45 46 | 44 – 46 | 42 – 43 44 – 45 46 |
| Nr. Pcs. | 3 | 2 | 6 | 3 | 1 | 3 | 1 | 3 | 1 |

| POS | COD. | DESCRIZIONE – DESCRIPTION - KIT | NR |
|-----|------------|---|-----|
| 19 | 98.2106.00 | Tappo carico olio G 3/8" | 1 |
| 20 | 66.0200.35 | Albero – SSE1525 – SSE2030 – SSU2030 | 1 |
| | 66.0204.35 | Albero – SSE2035 – SSE2014 SSU2035 – SSU2040 – SSU2050 | 1 |
| 21 | 91.4892.00 | Linguetta 9x7x35 UNI 6604 | 1 |
| 22 | 66.0300.01 | Biella completa | 3 |
| 23 | 90.3922.00 | OR Ø 133.02x2.62 (3525) | 1 |
| 24 | 66.1600.22 | Coperchio posteriore | 1 |
| 25 | 99.1883.00 | Vite M6x20 UNI 5931 - INOX | 4 |
| 26 | 90.4051.00 | OR Ø 26.58x3.53 (4106) | 1 |
| 27 | 63.2100.51 | Spia livello olio | 1 |
| 28 | 98.2040.00 | Tappo G 1/4"x9 - INOX | 1 |
| 29 | 90.3585.00 | OR Ø 10.82x1.78 (2043) | 1 |
| 30 | 99.3099.00 | Vite M8x35 UNI 5931 | 6 |
| 32 | 97.7405.00 | Spinotto Ø 14x39 | 3 |
| 33 | 66.0501.66 | Guida pistone | 3 |
| 34 | 96.7098.00 | Rosetta Ø 10x28x0.5 - INOX | 3 |
| 35 | 66.0400.09 | Pistone Ø 20x54 | 3 |
| | 66.0401.09 | Pistone Ø 22x54 | 3 |
| | 66.0404.09 | Pistone Ø 24x54 | 3 |
| 36 | 90.3584.00 | OR Ø 10.82x1.78 (2043) - 90 Sh. | 3 |
| 37 | 66.2196.66 | Vite fissaggio pistone - INOX | 3 |
| 38 | 47.1510.22 | Coperchio cuscinetto aperto | 1 |
| 39 | 90.1648.00 | Anello rad. Ø 30x55x7 | 3 1 |
| 40 | 90.3833.00 | OR Ø 13.95x2.62 (3056) | 1 |

| POS | COD. | DESCRIZIONE – DESCRIPTION - KIT | NR |
|-----|------------|---------------------------------|---------------|
| 41 | 98.2100.66 | Tappo G 3/8"x13 | 2 |
| 42 | 66.0817.66 | Anello di fondo Ø 20 - INOX | 217 3 |
| | 66.0818.66 | Anello di fondo Ø 22 - INOX | 218 3 |
| | 66.0819.66 | Anello di fondo Ø 24 - INOX | 219 3 |
| 43 | 90.3616.00 | OR Ø34.65x1.78 (2137) | 217-218-219 3 |
| 44 | 90.2250.00 | Anello tenuta Ø20x26.15 LP | 206-217 3 |
| | 90.2300.00 | Anello tenuta Ø22x28.15 LP | 208-218 3 |
| | 90.2350.00 | Anello tenuta Ø24x30.15 LP | 210-219 3 |
| 45 | 66.2172.66 | Anello intermedio Ø 20 – INOX | 217 3 |
| | 66.2173.66 | Anello intermedio Ø 22 – INOX | 218 3 |
| | 66.2174.66 | Anello intermedio Ø 24 - INOX | 219 3 |
| 46 | 90.2260.00 | Anello tenuta Ø20x30x10 HP | 206-217 3 |
| | 90.2312.00 | Anello tenuta Ø22x32x10 HP | 208-218 3 |
| | 90.2360.00 | Anello tenuta Ø24x34x10 HP | 210-219 3 |
| 47 | 47.2000.74 | Piedino fissaggio pompa | 2 |
| 48 | 96.7106.00 | Rosetta Ø 10.2 DIN 7980 | 4 |
| 49 | 99.3644.00 | Vite M10x18 UNI 5931 | 4 |
| 50 | 90.9126.00 | Boccola Ø 22x25x30 | 3 |
| 51 | 90.1625.00 | Anello rad. Ø 22x32x5.5 | 2 3 |
| 52 | 98.2266.00 | Tappo G 3/4"x16 - INOX | 1 |
| 53 | 90.3585.00 | OR Ø 10.82x1.78 (2043) | 3 |
| 54 | 98.2046.00 | Tappo G 1/4"x13 - INOX | 3 |

SERIE 66

SS



DIS. COD. 66.9517.00



SSE2025 – SSE2030 - SSU2030

PISTONE - PISTON Ø 20

PISTONE - PISTON Ø 22

SSE2025 – SSU2030

SSE2030

| POS | COD. | DESCRIZIONE – DESCRIPTION - KIT | NR |
|-----|--------------------------|--|--------|
| 1 | 66.1203.36 66.1204.36 | Testata Ø 20 - INOX Testata Ø 22 - INOX | 1 1 |
| 2 | 99.3802.00 | Vite M10x90 UNI 5931 - INOX | 8 |
| 3 | 90.3857.00 | OR Ø 23.81x2.62 (132) | 228 12 |
| 4 | 36.2037.66 | Sede valvola sferica - INOX | 228 6 |
| 5 | 36.2034.76 | Valvola | 228 6 |
| 6 | 94.7388.00 | Molla Ø 10x18.5 | 228 6 |
| 7 | 36.2035.51 | Guida valvola | 228 6 |
| 8 | 90.5165.00 | Anello antiest. Ø 24.7x29x1.5 | 6 |
| 9 | 66.1302.66 | Tappo M32x1.5x29.5 - INOX | 6 |
| 10 | 36.7131.01 | Gruppo valvola aspiraz. / mand. | 228 6 |
| 11 | 99.3038.00 | Vite M8x16 UNI 5931 - INOX | 8 |
| 12 | 47.1510.22 | Coperchio cuscinetto aperto | 2 |
| 13 | 90.3913.00 | OR Ø 67.95x2.62 (3268) | 2 |
| 14 | 90.1648.00 | Anello rad. Ø 30x55x7 | 3 2 |
| 15 | 91.8380.00 | Cuscinetto a rulli NJ 2206 EC | 2 |
| 16 | 66.0100.22 | Carter pompa | 1 |
| 17 | 98.2106.00 | Tappo carico olio G 3/8" | 1 |
| 18 | 66.0210.35 | Albero D.PTO | 1 |
| 19 | 91.4892.00 | Linguetta 9x7x35 UNI 6604 | 2 |
| 20 | 66.0300.01 | Biella completa | 3 |

KIT RICAMBI – SPARE KITS

PISTONE - PISTON Ø20

PISTONE - PISTON Ø22

| KIT Nr. | KIT 2 | KIT 3 | KIT 228 | KIT 206 | KIT 217 | KIT 208 | KIT 218 |
|---|-------|-------|-----------------------------|---------|--------------------------|---------|--------------------------|
| Posizioni incluse Positions included | 47 | 14 | 3 – 4 5 – 6 7 (10) | 40 – 42 | 38 – 39 40 – 41 42 | 40 – 42 | 38 – 39 40 – 41 42 |
| Nr. Pcs. | 3 | 2 | 6 | 3 | 1 | 3 | 1 |

| POS | COD. | DESCRIZIONE – DESCRIPTION - KIT | NR |
|-----|--------------------------|--|------------------------|
| 21 | 90.3922.00 | OR Ø 133.02x2.62 (3525) | 1 |
| 22 | 66.1600.22 | Coperchio posteriore | 1 |
| 23 | 99.1883.00 | Vite M6x20 UNI 5931 - INOX | 4 |
| 24 | 90.4051.00 | OR Ø 26.58x3.53 (4106) | 1 |
| 25 | 63.2100.51 | Spia livello olio | 1 |
| 26 | 98.2040.00 | Tappo G 1/4"x9 - INOX | 1 |
| 27 | 90.3585.00 | OR Ø 10.82x1.78 (2043) | 1 |
| 28 | 99.3099.00 | Vite M8x35 UNI 5931 | 6 |
| 29 | 97.7405.00 | Spinotto Ø 14x39 | 3 |
| 30 | 66.0501.66 | Guida pistone | 3 |
| 32 | 96.7098.00 | Rosetta Ø 10x28x0.5 - INOX | 3 |
| 33 | 66.0400.09 66.0401.09 | Pistone Ø 20x54 Pistone Ø 22x54 | 3 3 |
| 34 | 90.3584.00 | OR Ø 10.82x1.78 (2043) - 90 Sh. | 3 |
| 35 | 66.2196.66 | Vite fissaggio pistone - INOX | 3 |
| 36 | 90.3833.00 | OR Ø 13.95x2.62 (3056) | 1 |
| 37 | 98.2100.66 | Tappo G 3/8"x13 | 2 |
| 38 | 66.0817.66 66.0818.66 | Anello di fondo Ø 20 - INOX Anello di fondo Ø 22 - INOX | 217 3 218 3 |
| 39 | 90.3616.00 | OR Ø34.65x1.78 (2137) | 217-218-219 3 |
| 40 | 90.2250.00 90.2300.00 | Anello tenuta Ø20x26.15 LP Anello tenuta Ø22x28.15 LP | 206-217 3 208-218 3 |
| 41 | 66.2172.66 66.2173.66 | Anello intermedio Ø 20 – INOX Anello intermedio Ø 22 – INOX | 217 3 218 3 |
| 42 | 90.2260.00 90.2312.00 | Anello tenuta Ø20x30x10 HP Anello tenuta Ø22x32x10 HP | 206-217 3 208-218 3 |

| POS | COD. | DESCRIZIONE – DESCRIPTION - KIT | NR |
|-----|------------|---------------------------------|-----|
| 43 | 47.2000.74 | Piedino fissaggio pompa | 2 |
| 44 | 96.7106.00 | Rosetta Ø 10.2 DIN 7980 | 4 |
| 45 | 99.3644.00 | Vite M10x18 UNI 5931 | 4 |
| 46 | 90.9126.00 | Boccola Ø 22x25x30 | 3 |
| 47 | 90.1625.00 | Anello rad. Ø 22x32x5.5 | 2 3 |
| 48 | 98.2266.00 | Tappo G 3/4"x16 - INOX | 1 |
| 49 | 90.3585.00 | OR Ø 10.82x1.78 (2043) | 3 |
| 50 | 98.2046.00 | Tappo G 1/4"x13 - INOX | 3 |