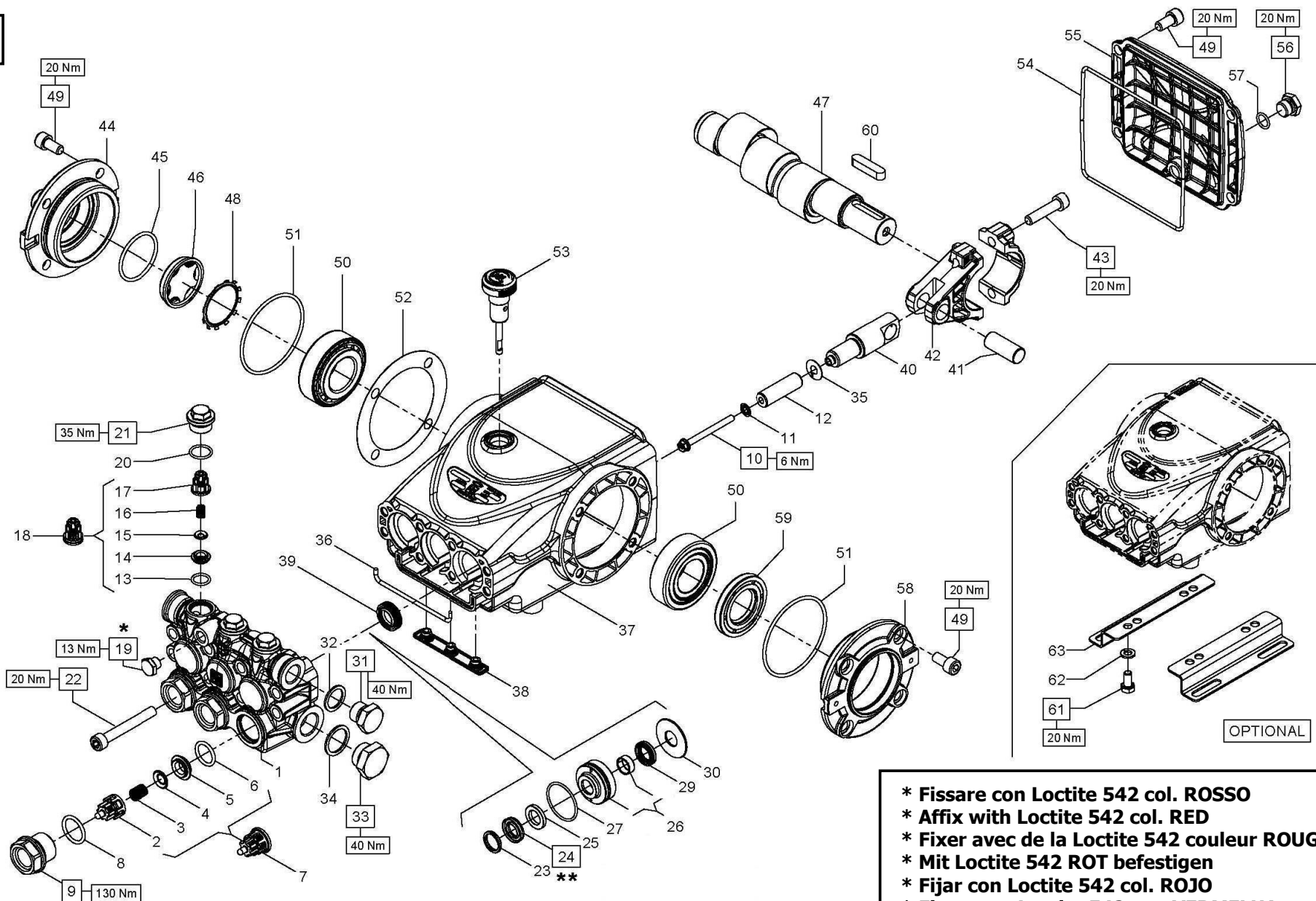


SERIE 59



- * Fissare con Loctite 542 col. ROSSO
- * Affix with Loctite 542 col. RED
- * Fixer avec de la Loctite 542 couleur ROUGE
- * Mit Loctite 542 ROT befestigen
- * Fijar con Loctite 542 col. ROJO
- * Fixar com Loctite 542 cor. VERMELHA

- ** Lubrificare con grasso di vaselina
- ** To lubricate with vaseline grease
- ** Lubrifier avec gras des vaseline
- ** Sich mit fett zum vaselin schmieren
- ** Para lubricar con la grasa de vaselina
- ** Para lubrificar com a graxa de vaselina



KIT RICAMBI – SPARE KITS

KIT Nr.	PIST. D. 13			PIST. D. 15				PIST. D. 18		PIST. D. 20		PIST. D. 22	
	KIT 269	KIT 292	KIT 271	KIT 282	KIT 287	KIT 283	KIT 288	KIT 284	KIT 289	KIT 285	KIT 290	KIT 286	KIT 291
Posizioni include Positions included	2 - 3 - 4 5 - 6 - 13 14 - 15 - 16 17 - (7) - (18)	8 - 9 20 - 21	39	23 - 24 25 - 27 29	23 - 24 25 - 26 27 - 29 30	23 - 24 25 - 27 29	23 - 24 25 - 26 27 - 29 30	23 - 24 25 - 27 29	23 - 24 25 - 26 27 - 29 30	23 - 24 25 - 27 29	23 - 24 25 - 26 27 - 29 30	23 - 24 25 - 27 29	23 - 24 25 - 26 27 - 29 30
Nr. Pcs.	3 + 3	3 + 3	3	3	1	3	1	3	1	3	1	3	1

E3A2113 - E3A2115 - E3B2511 - E3B2513
E3B2515 - E3B2118 - E3B2121 - E3C2513
E3C2515 - E3C2518 - E3C2521 - E3E2813
E3E2815 - E3E2517 - E3E2520 - E3B1911
E3C1713 - E3C1518 - E3C1218 - E3A1021
E3B1515 - E3B1713 - E3B1021 - E3A1515
E3B1218 - E3A1713

PISTON D. 13	PISTON D. 15	PISTON D. 18	PISTON D. 20
E3E2813 E3E2815	E3E2517 E3E2520	E3C2511 E3C2513 E3B1911 E3C1713	E3B2513 E3B2515 E3C2518 E3C2521 E3C1518 E3C1218 E3C1021 E3B1515 E3B1713
PISTON D. 22			
E3A2113 E3A2115 E3B2118 E3B2121 E3B1021 E3A1515 E3B1218 E3A1713			

POS	COD.	DESCRIZIONE – DESCRIPTION - KIT	NR
1	59.1210.41 59.1211.41 59.1212.41 59.1213.41 59.1214.41	Testata pompa D. 13 - NICKEL Testata pompa D. 15 - NICKEL Testata pompa D. 18 - NICKEL Testata pompa D. 20 - NICKEL Testata pompa D. 22 - NICKEL	1
2	36.2025.51	Guida valvola d'aspirazione 269	3
3	94.7376.00	Molla Dm. 9.4x14.8 269	3
4	36.2001.76	Valvola sferica 269	3
5	36.2003.66	Sede valvola d'aspirazione 269	3
6	90.3841.00	OR D. 17.13x2.62 NBR 70 SH 3068 269	3
7	36.7115.01	Gruppo valvola d'aspirazione 269	3
8	90.3847.00	OR D.20.24x2.62 NBR 70 SH 3081 292	3
9	98.2225.00	Tappo M 24x1.5x16.7 - NICKEL 292	3
10	99.1690.00	Vite M 5x55	3
11	96.6905.00	Rosetta D. 5x11.5x0.4	3
12	58.0400.09 58.0401.09 58.0402.09 59.0400.09 59.0401.09	Pistone D. 13x42 Pistone D. 15x42 Pistone D. 18x42 Pistone D. 20x42 Pistone D. 22x42	1
13	90.3589.00	OR D.12.42x1.78 NBR 70 SH 2050 269	3
14	36.2113.66	Sede valvola di mandata 269	3
15	36.2112.76	Valvola sferica 269	3
16	94.7333.00	Molla Dm. 6.2x10.4 269	3
17	36.2111.51	Guida valvola di mandata 269	3
18	36.7193.01	Gruppo valvola di mandata 269	3
19	98.1967.00	Tappo G 1/8"x8 - NICKEL	1

POS	COD.	DESCRIZIONE – DESCRIPTION - KIT	NR
20	90.3593.00	OR D.15.60x1.78 NBR 70 SH 2062 292	3
21	98.2137.50	Tappo M18x1.5x10 D.23-D.12 -NK.292	3
22	99.3175.00	Vite M 8x60 UNI 5931	8
23	44.1002.51 63.1010.51 66.1007.51 66.1009.51 63.1011.51	Anello di testa D. 13 282-287 Anello di testa D. 15 283-288 Anello di testa D. 20 285-290 Anello di testa D. 22 286-291 Anello di testa D. 18 284-289	3
24	90.2602.00 90.2611.00 90.2691.00 90.2716.00 90.2653.50	An. ten.alt. D. 13x21x4 HP 282-287 An. ten.alt. D. 15x24x5.4/3.4 HP 283-288 An. ten.alt. D. 20x30x6/3.7 HP 285-290 An. ten.alt. D. 22x32x6/3.7 HP 286-291 An. ten.alt. D. 18x28x46/3.7 HP 284-289	3
25	90.5076.00 90.5089.90 90.5111.50 90.5134.00 90.5148.50	Anello antiest. D. 13x21x4 282-287 Anello antiest. D. 15x24x2 283-288 Anello antiest. D. 18x28x2 284-289 Anello antiest. D. 20x30x2 285-290 Anello antiest. D. 22x32x2 286-291	3
26	59.6058.01 59.6059.01 59.6060.01 59.6061.01 59.6062.01	Gr. supp. guarn./bussola D. 13 287 Gr. supp. guarn./bussola D. 15 288 Gr. supp. guarn./bussola D. 18 289 Gr. supp. guarn./bussola D. 20 290 Gr. supp. guarn./bussola D. 22 291	3
27	90.3612.00	OR D. 31.47x1.78 NBR 70 SH. 2125 282-283-284-285-286-287-288-289-290-291	3
29	90.2601.00 90.2608.00 90.2690.00 90.2715.00 90.2650.00	Anello ten. alt. D. 13x20x5 LP 282-287 Anello ten. alt. D. 15x22x5 LP 283-288 Anello ten. alt. D. 20x28x6.5 LP 285-290 Anello ten. alt. D. 22x30x6.5 LP 286-291 Anello ten. alt. D. 18x24x5 LP 284-289	3
30	59.2105.70 59.2106.70 59.2107.70 59.2108.70 59.2109.70	Anello per tenuta D. 13 287 Anello per tenuta D. 15 288 Anello per tenuta D. 18 289 Anello per tenuta D. 20 290 Anello per tenuta D. 22 291	3
31	98.2099.00	Tappo G 3/8"x13 - NICKEL	1
32	96.7380.00	Rosetta D. 17.5x23x1.5	1
33	98.2179.00	Tappo G 1/2"x10 - NICKEL	1
34	96.7514.00	Rosetta D. 21.5x27x1.5	1
35	96.6990.00	Rosetta D. 7.5x23x0.5	3

POS	COD.	DESCRIZIONE – DESCRIPTION - KIT	NR
36	59.2110.82	Guarnizione spugna D. 3x103	1
37	59.0100.22	Carter pompa	1
38	58.2104.51	Protezione	1
39	90.1565.50	Anello rad. D. 15x24x5/7 271	3
40	59.0500.66	Guida pistone	3
41	97.7399.00	Spinotto D. 14x34	3
42	59.0300.01	Biella completa	3
43	99.3099.00	Vite serraggio biella M 8x35	6
44	47.1512.22	Coperchio laterale lato spia	1
45	90.3877.00	OR D. 39.34x2.62 NBR 70 SH. 3156	1
46	70.2118.01	Spia livello olio	1
47	59.0201.35 59.0202.35 59.0203.35	Albero C.13 - E3A2115 E3B2121 E3C2521 E3E2815 E3B1021 E3C1021 E3A1515 Albero C.12 - E3A2113 E3B2118 E3B2515 E3C2518 E3E2520 E3B1218 E3C121 E3B1515 E3A1713 Albero C.10 - E3B2511 E3B2513 E3C2513 E3C2515 E3E2813 E3E2517 E3C1518 E3B1911 E3B1713 E3C1713	1
48	90.0756.00	Anello seeger D. 45	1
49	99.3039.00	Vite M 8x16 UNI 5931	12
50	91.8375.00	Cuscinetto a rulli 30x62x21.25	2
51	90.3913.00	OR D. 67.95x2.62 NBR 70 SH. 3628	2
52	97.5680.00 97.5978.00	Spessore D. 74.5x104x0.3 Spessore D. 74.5x104x0.1	1 1
53	98.2105.00	Asta livello olio G 3/8"x51	1
54	90.3922.00	OR D. 133.02x2.62 NBR 70 SH. 3525	1
55	59.1600.22	Coperchio posteriore carter	1
56	98.2042.50	Tappo G 1/4"x9 TE17 - Zinc.	1
57	90.3585.00	OR D. 10.82x1.78 NBR 70 SH. 2043	1
58	47.1510.22	Coperchio laterale lato PTO	1
59	90.1648.00	Anello rad. D. 30x55x7	1
60	91.4892.00	Linguetta 8x7x35	1
61	99.3037.00	Vite M 8x16 UNI 5739	4
62	96.7016.00	Rosetta D. 8.4 UNI 1751	4
63	50.2000.74	Piedino pompa	2

70